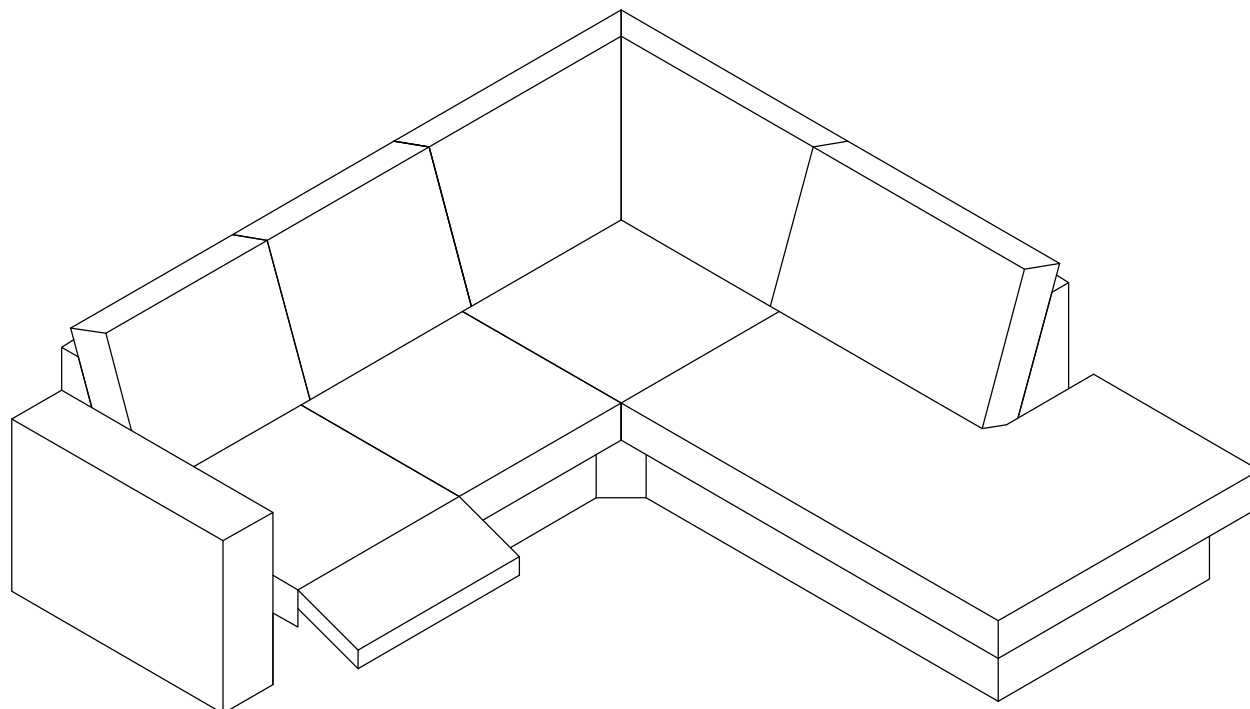
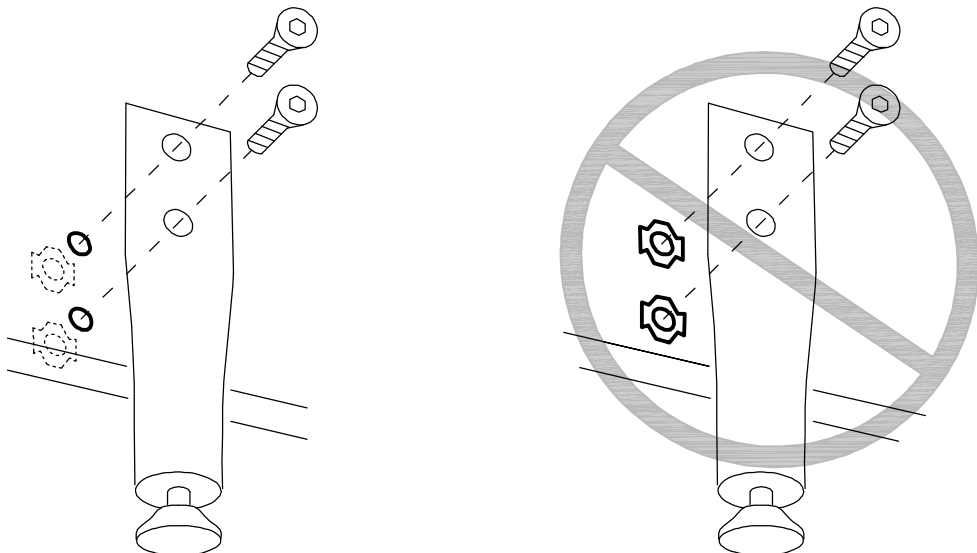
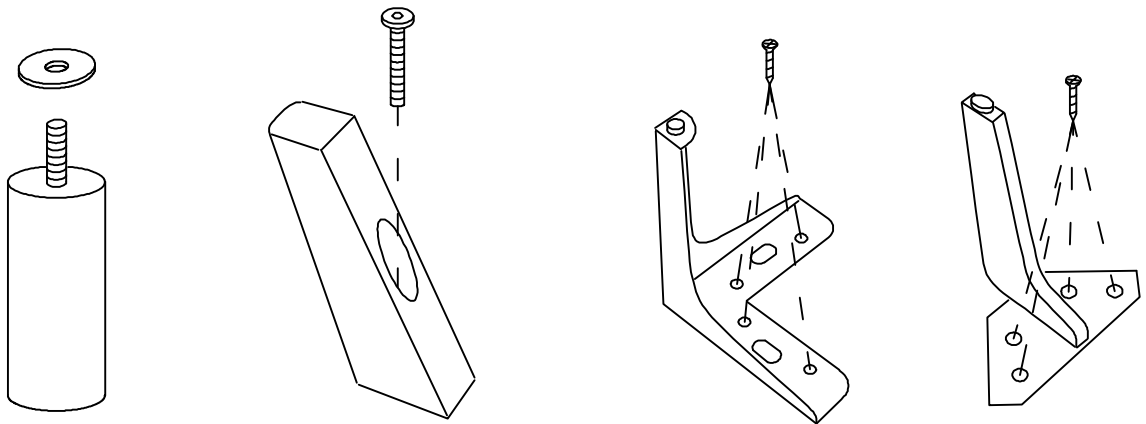
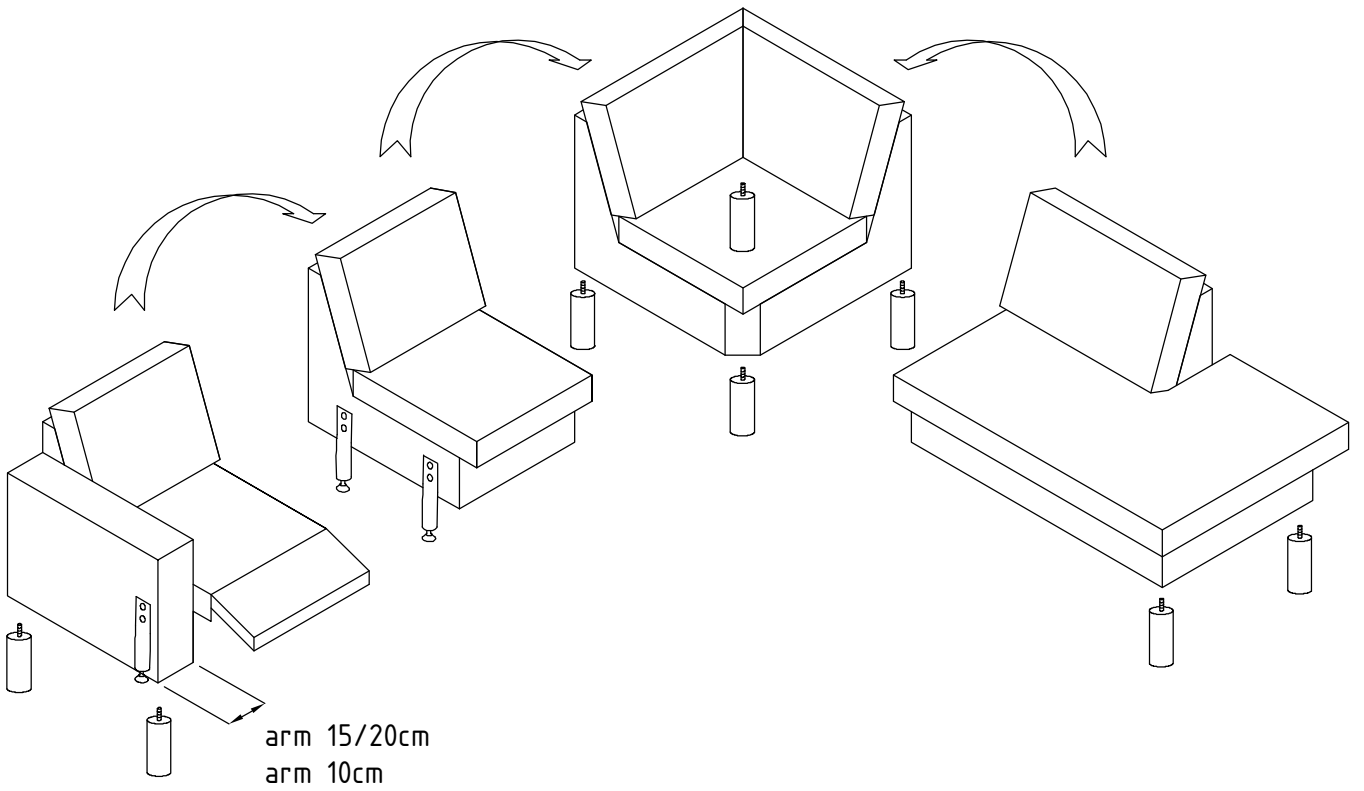


# Assembly instruction CFV-C0-HJ-XH

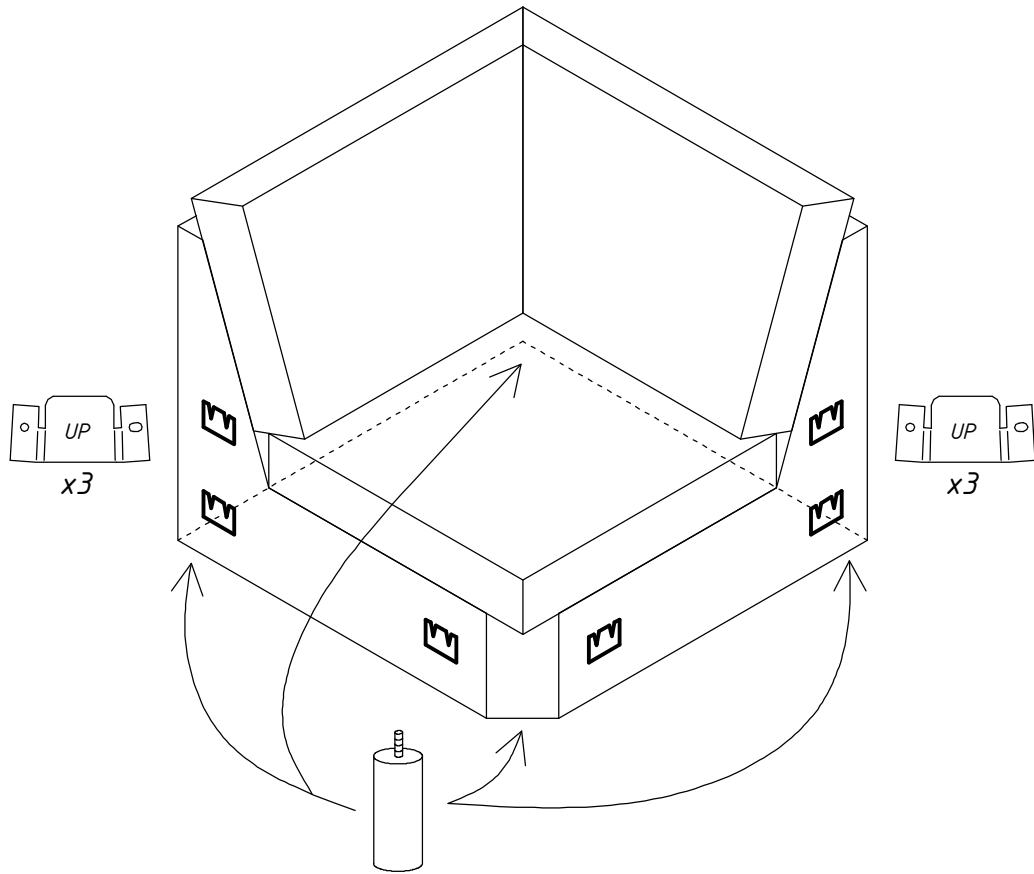


Module	Leg	Support leg
CFV / CFH	x 2	x 1 (arm 15-20cm)
CFV / CFH	x 2	x 0 (arm 10cm)
C0	-	x 2
HJ	x 4	-
XH / XV	x 2	-

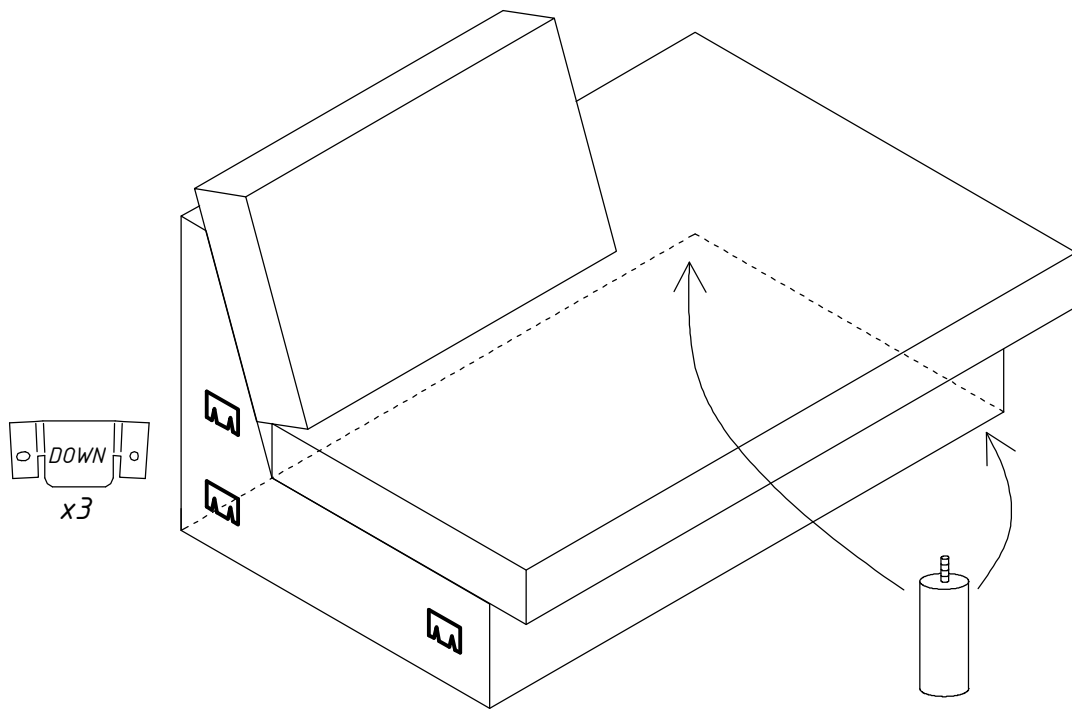


1st HJ




3

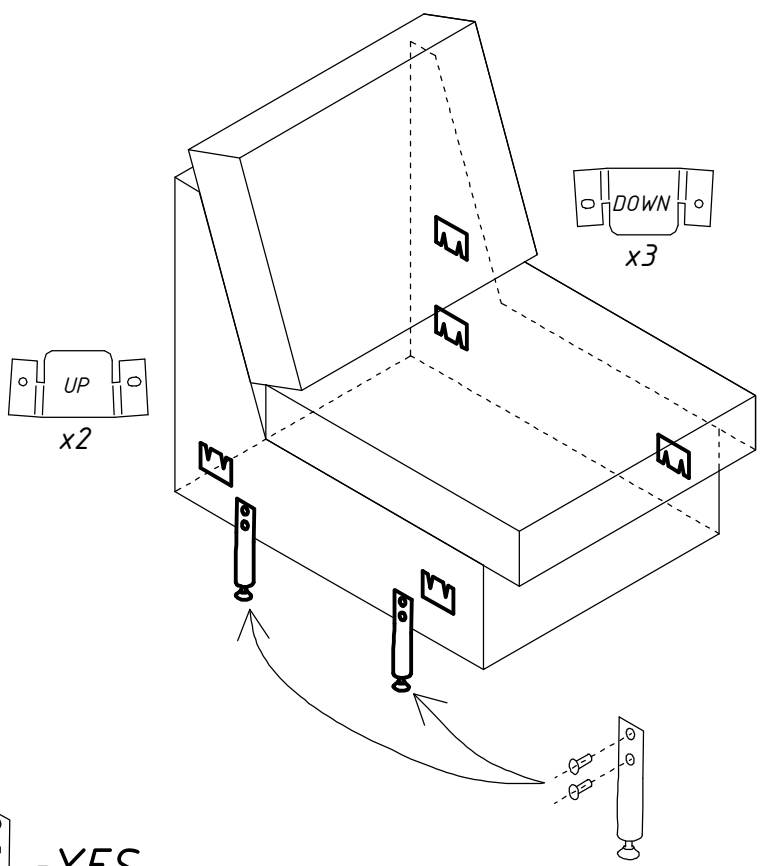





2nd XH



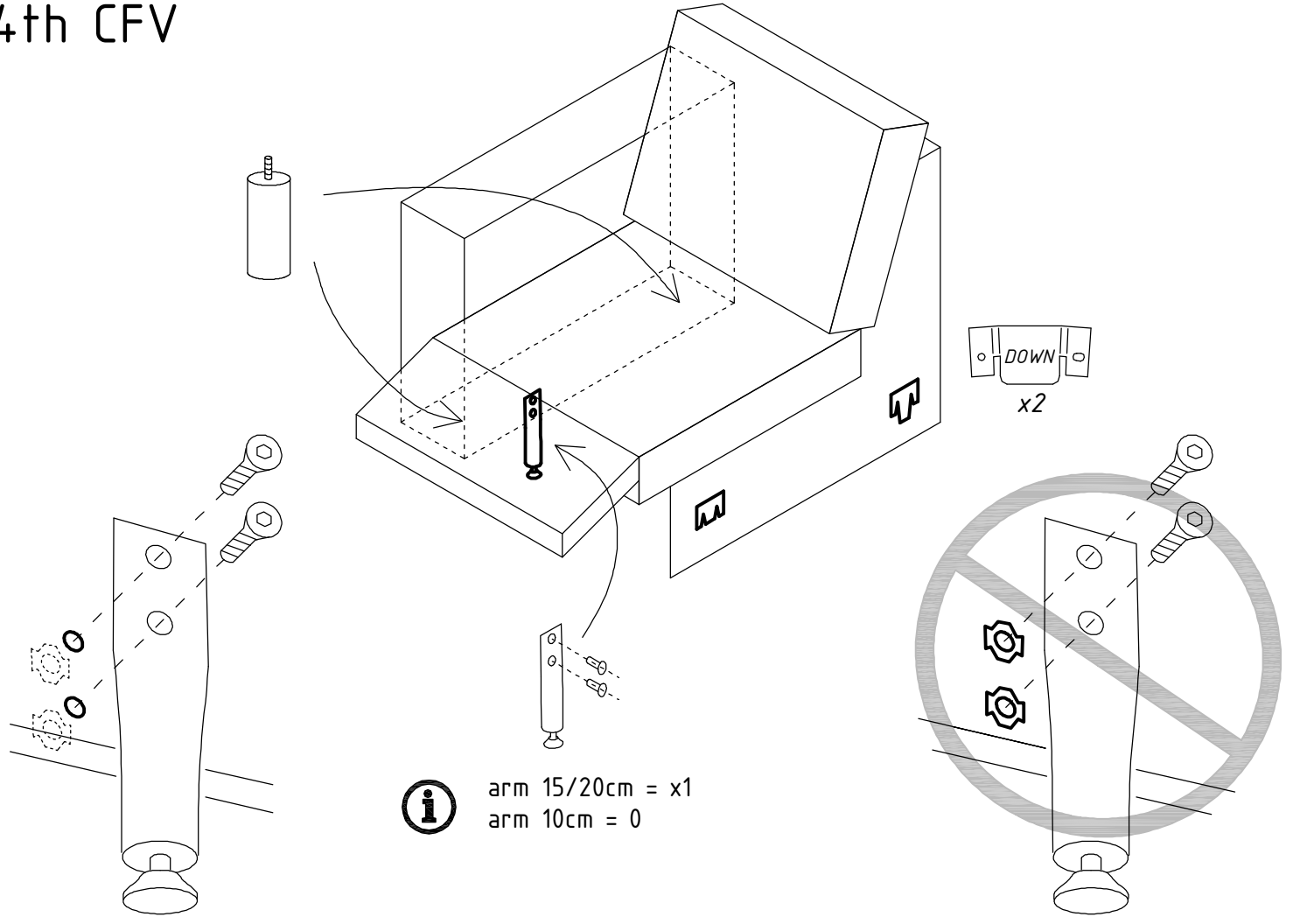
# 3rd C0


  +  = NO <sup>4</sup>



  +  = YES

# 4th CFV



 arm 15/20cm = x1  
arm 10cm = 0