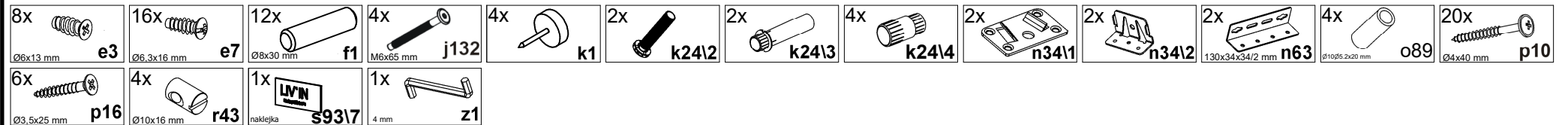
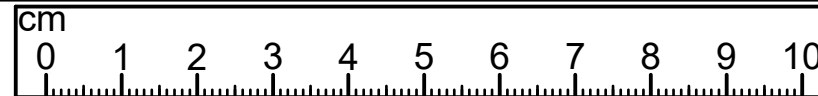
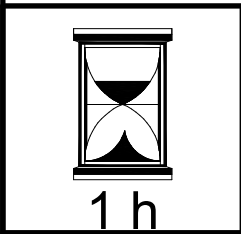
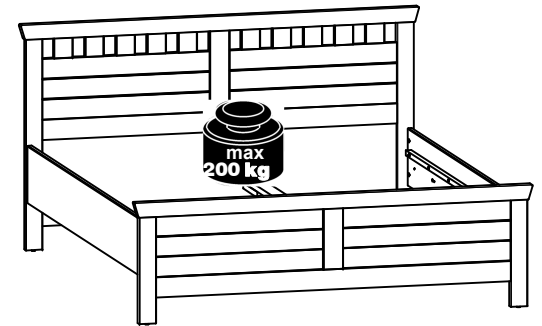
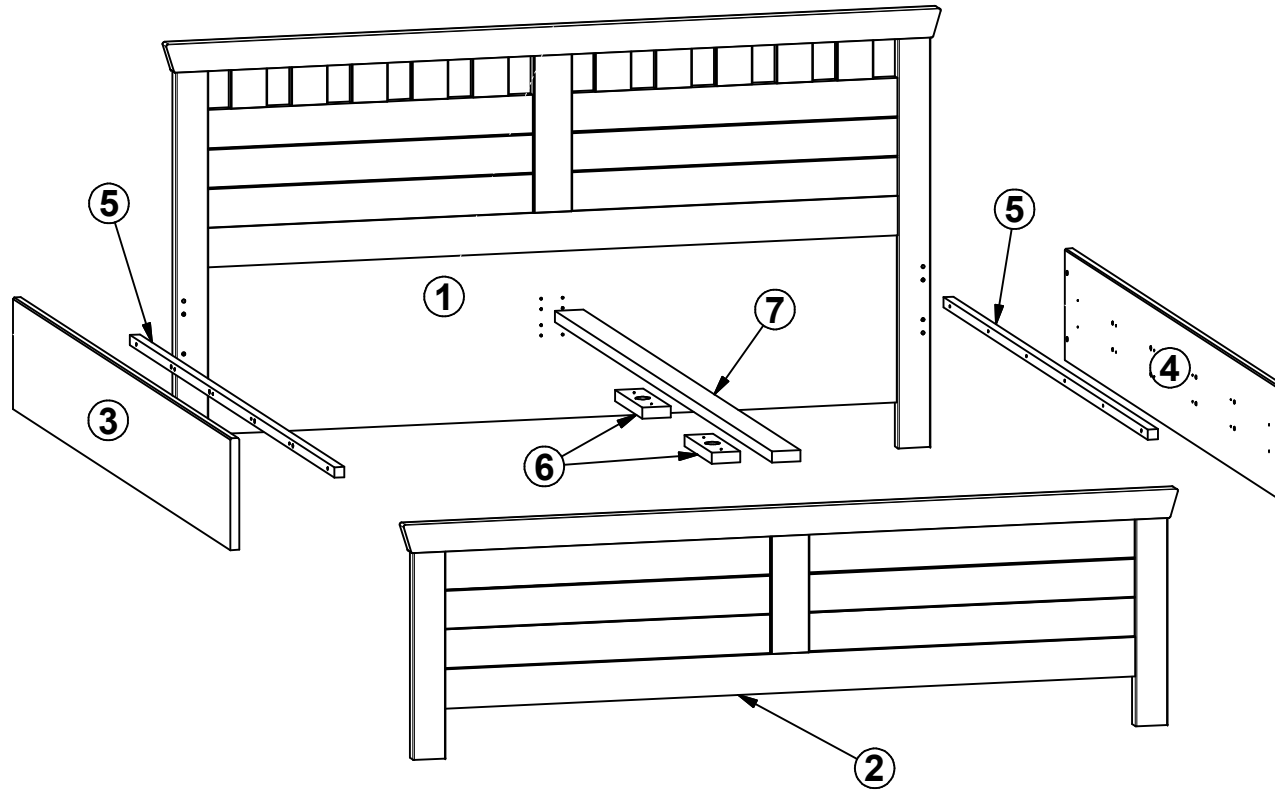
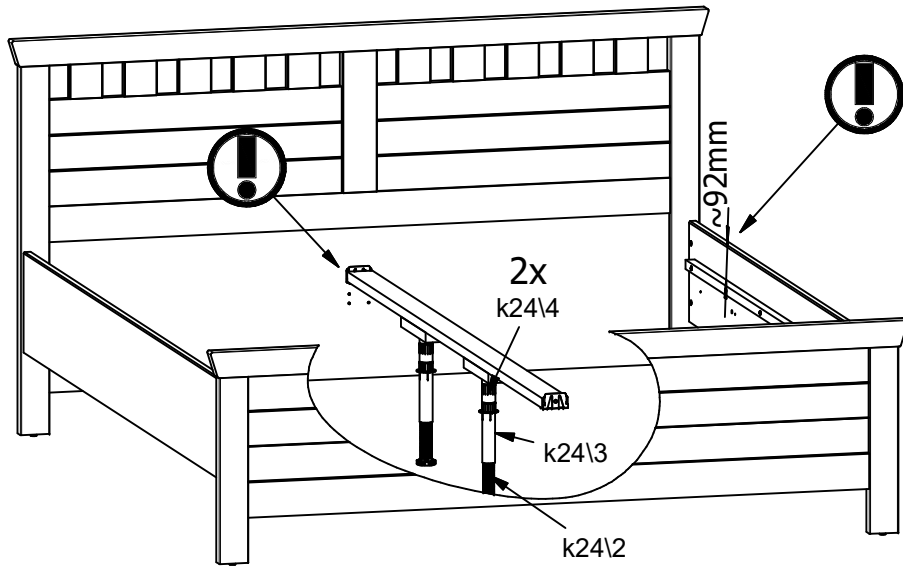


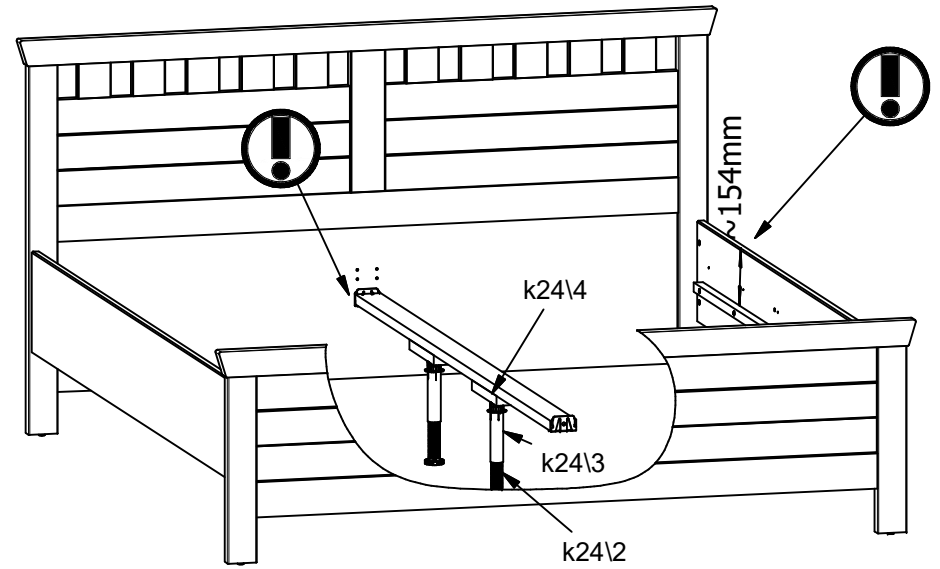
A	B	C (mm)			D
1	L96-0009	1908	1060	36	1/3
2	L96-0010	1908	570	36	2/3
3	L96-4004	2000	270	22	3/3
4	L96-4005	2000	270	22	3/3
5	ZZ1-747	1880	25	25	3/3
6	ZZ1-759	250	70	27	3/3
7	ZZ1-777	1995	70	27	3/3

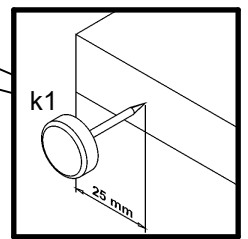
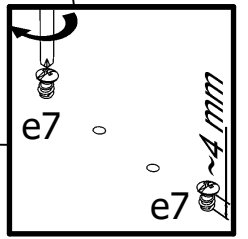
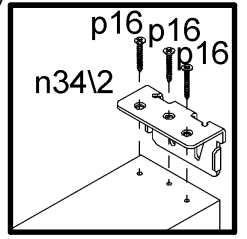
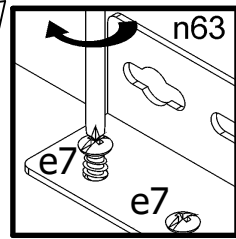
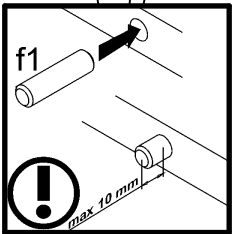
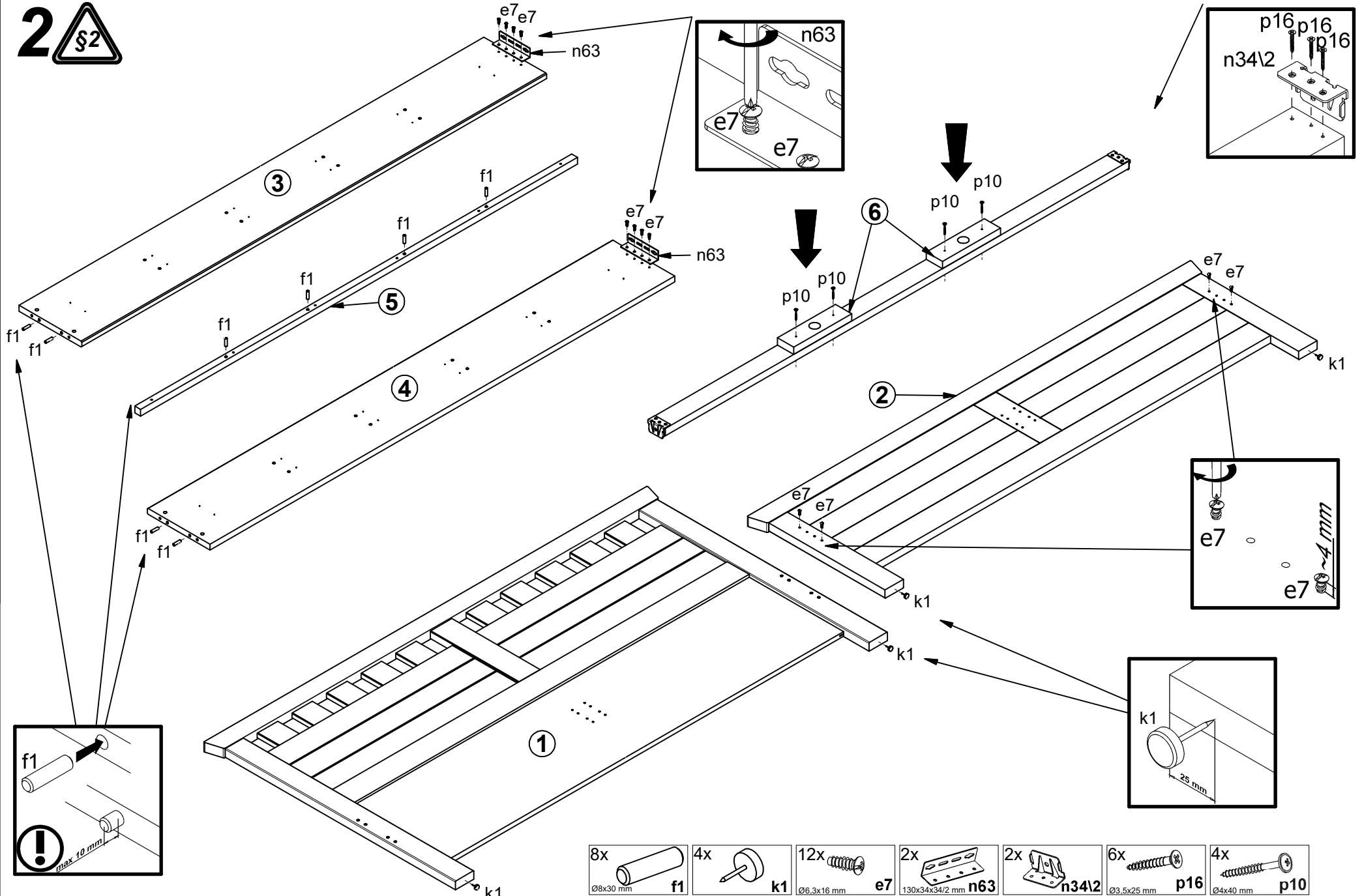


# 1A



# 1B

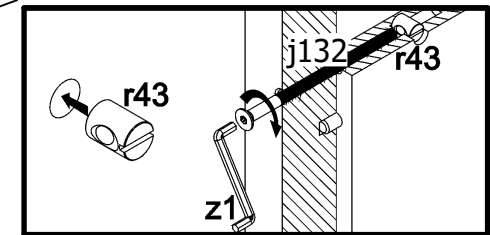
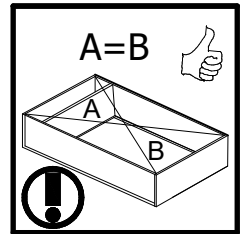
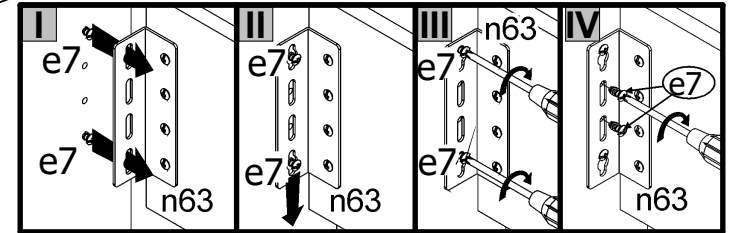
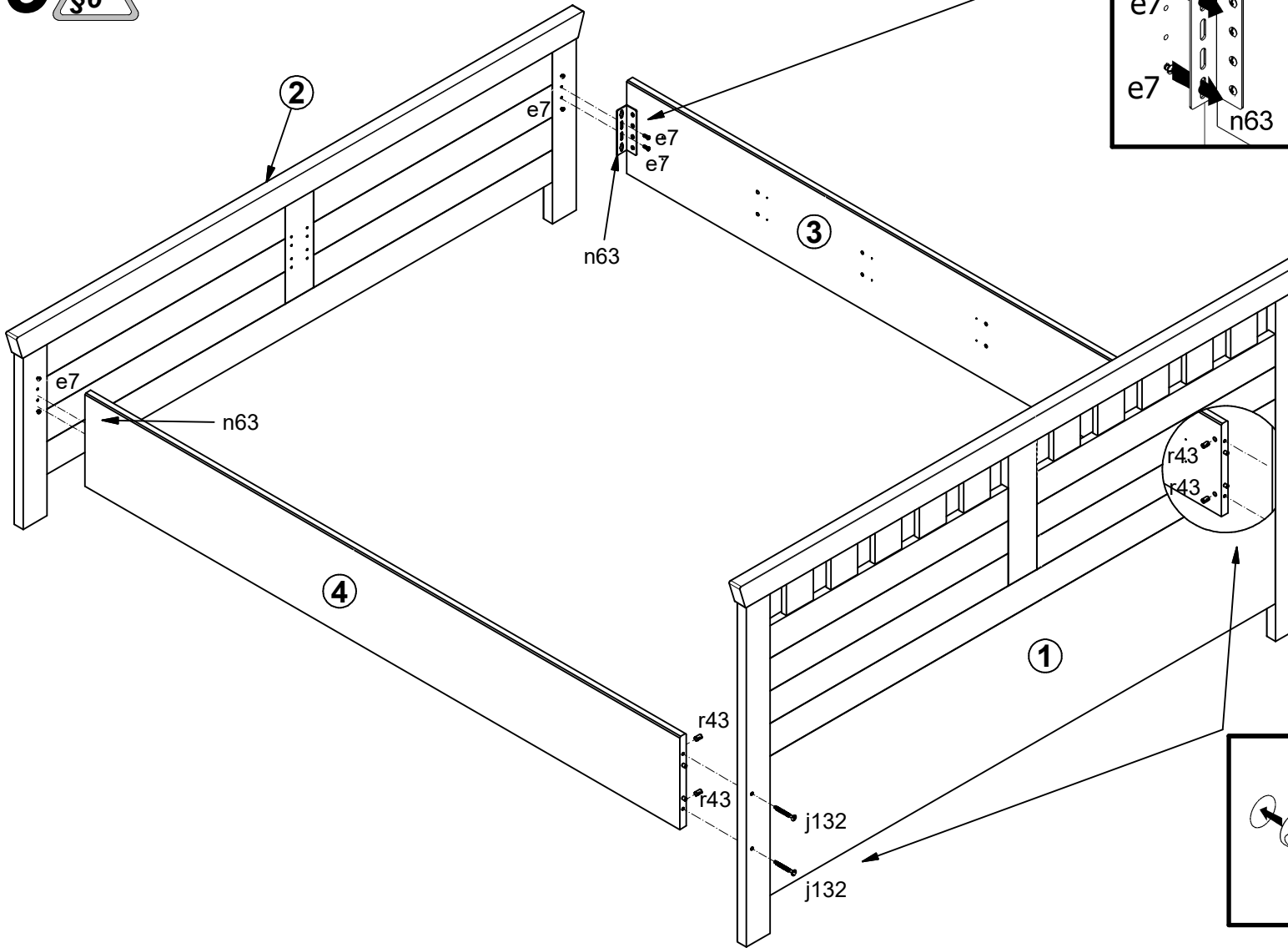



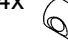


- 8x f1  
Ø8x30 mm
- 4x k1
- 12x e7  
Ø6,3x16 mm
- 2x n63  
130x34x34/2 mm
- 2x n34/2
- 6x p16  
Ø3,5x25 mm
- 4x p10  
Ø4x40 mm



3 §6

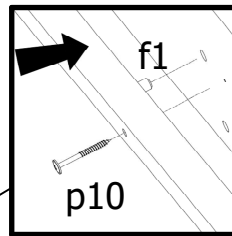
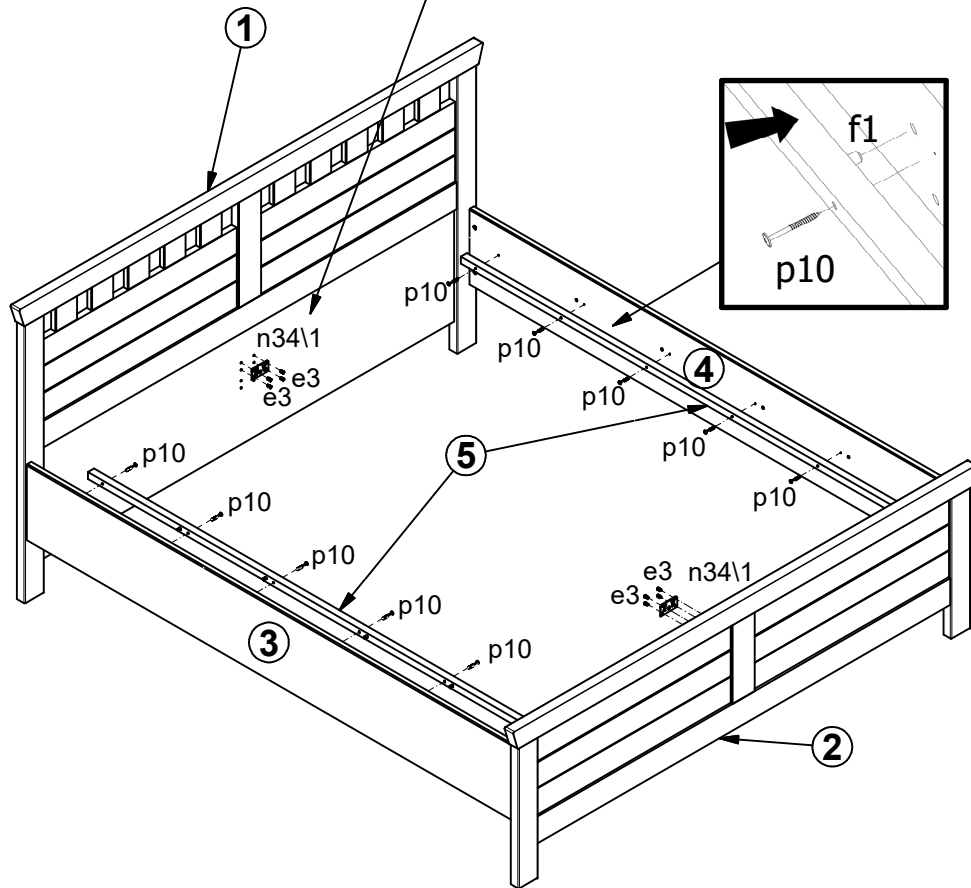
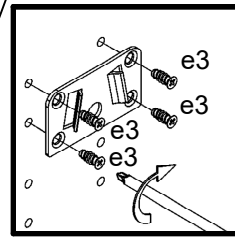


- 4x   
Ø6.3x16 mm e7
- 4x   
Ø10x16 mm r43
- 4x   
M6x65 mm j132

# 4A

§6

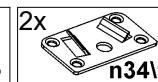
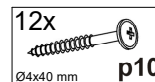
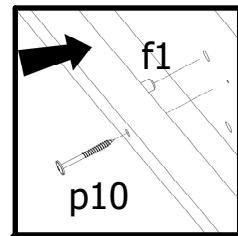
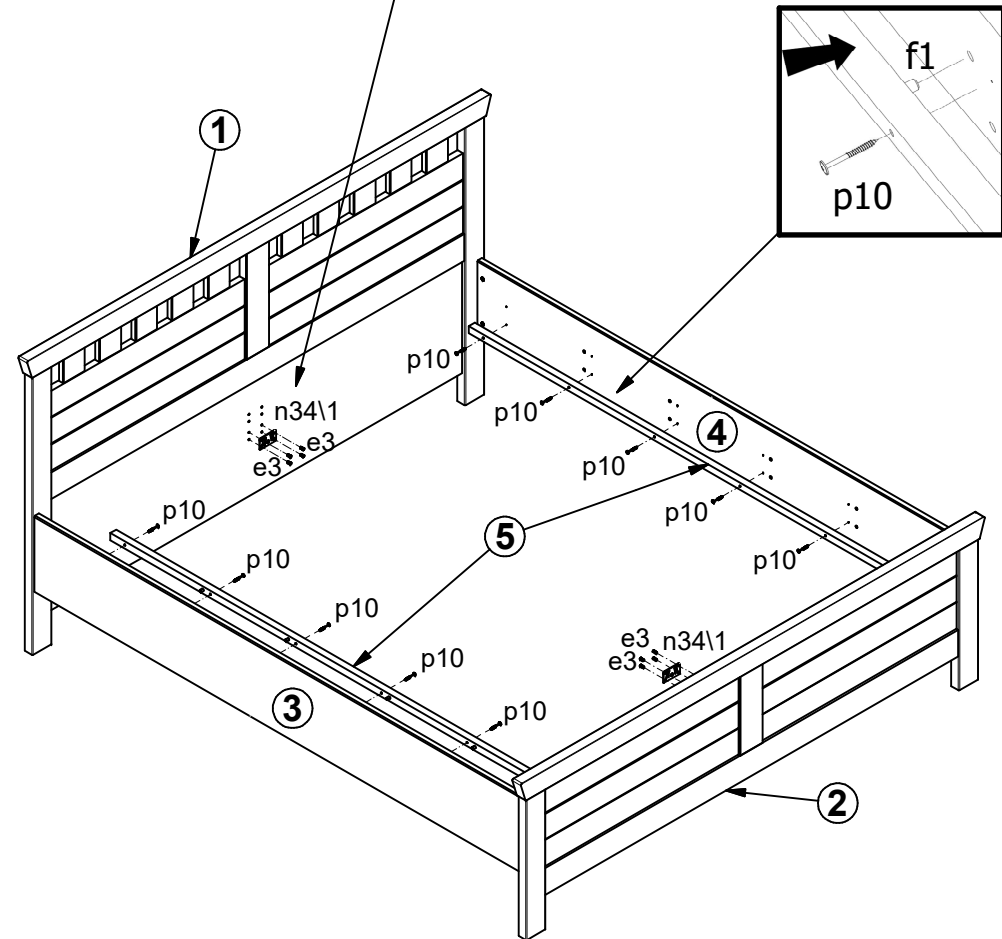
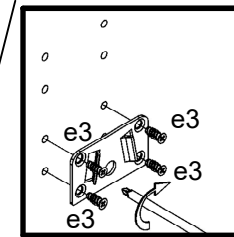
§14



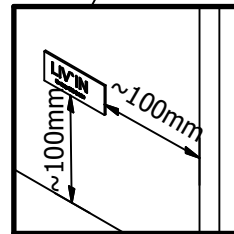
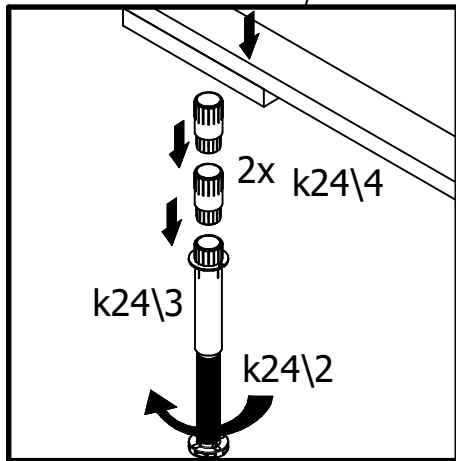
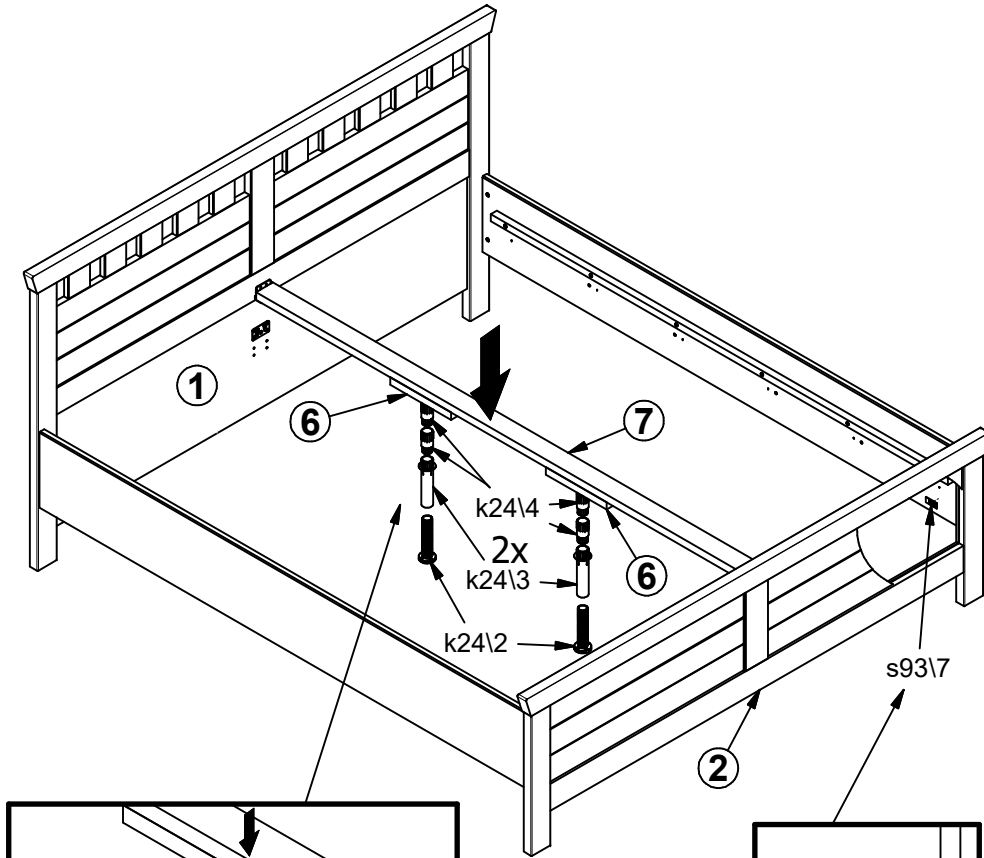
# 4B

§6

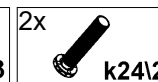
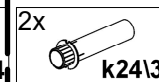
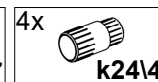
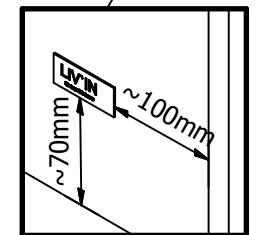
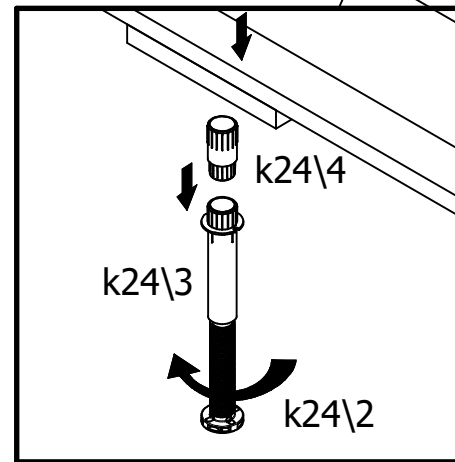
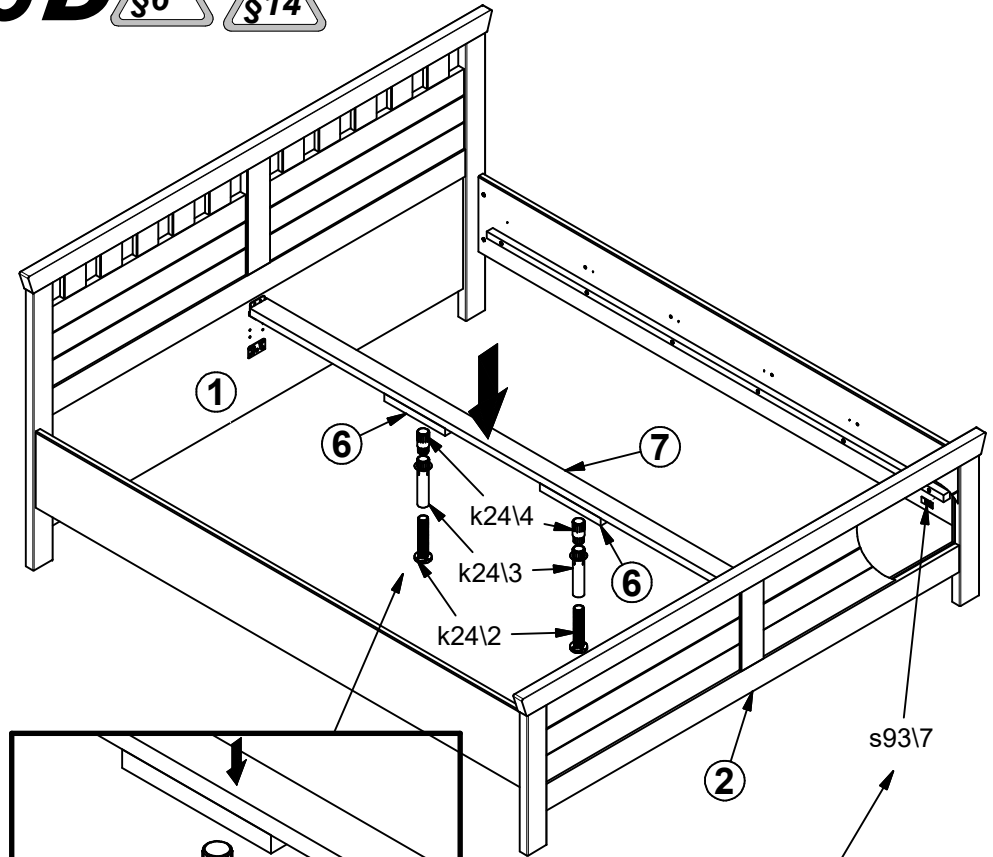
§14



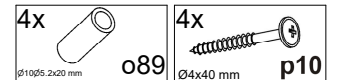
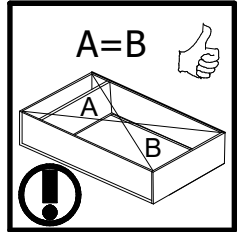
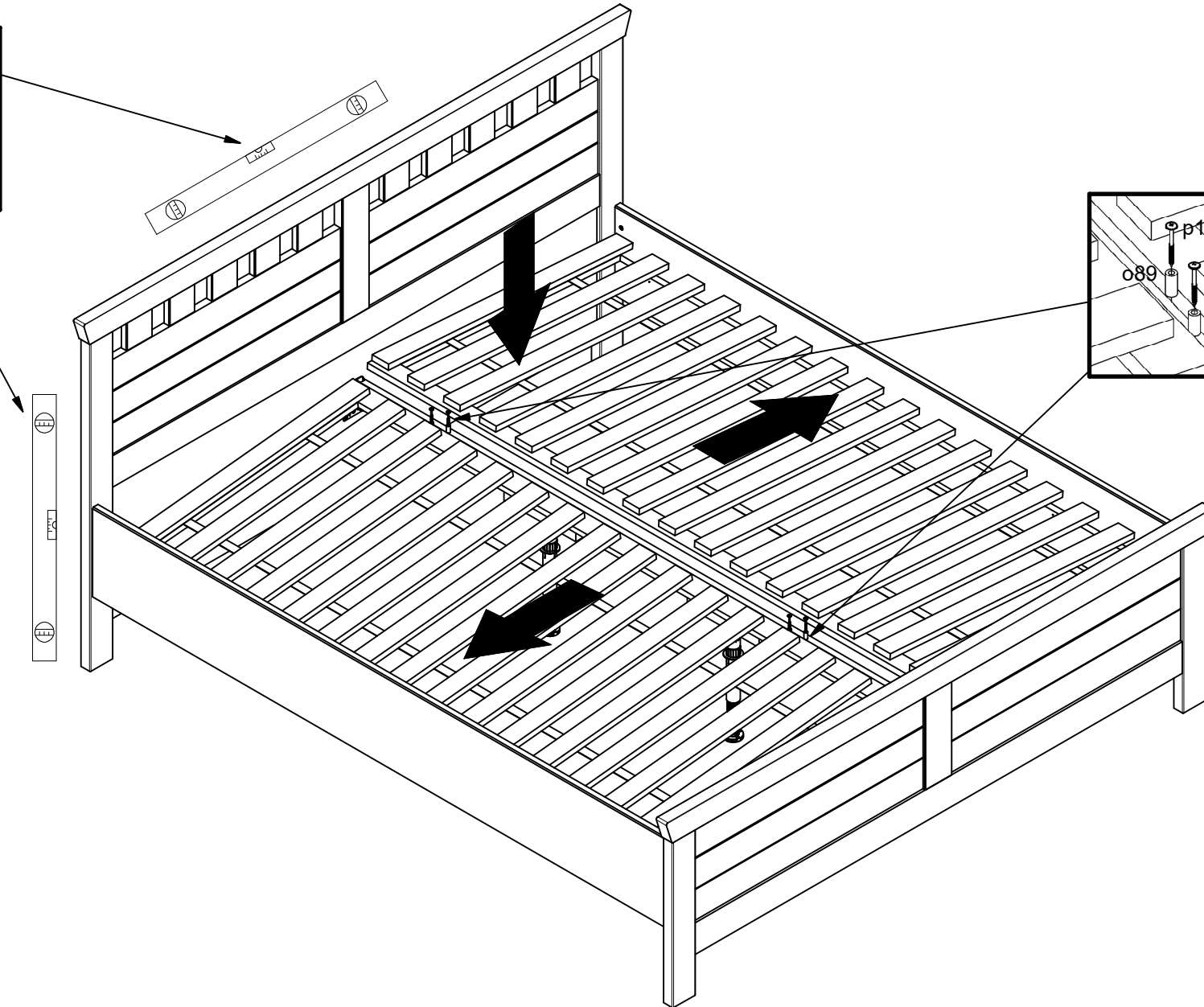
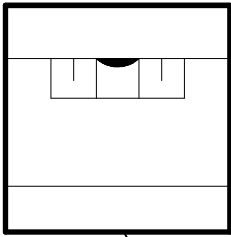
# 5A

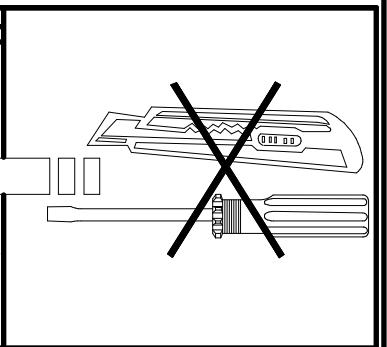
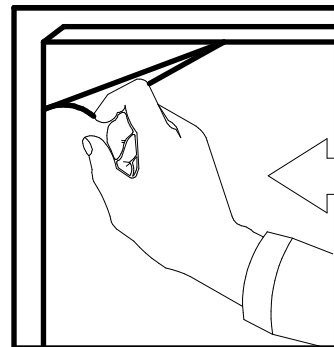
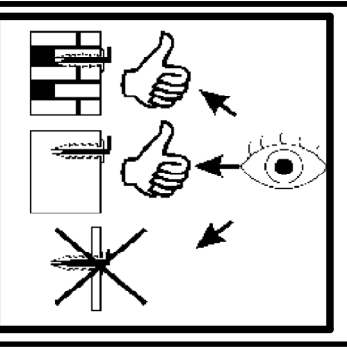
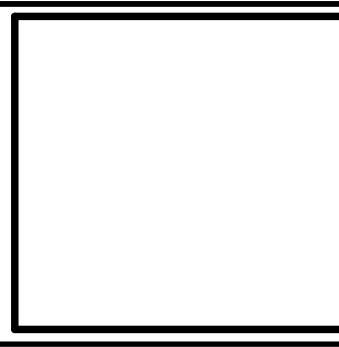
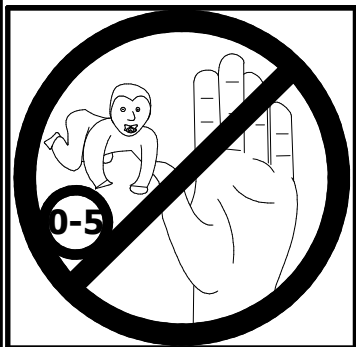
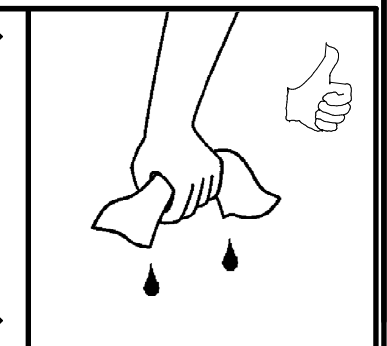
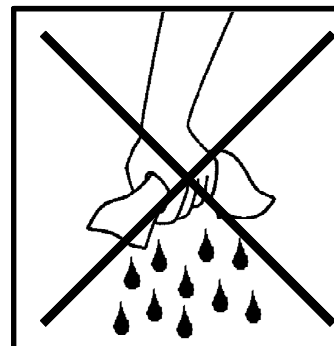
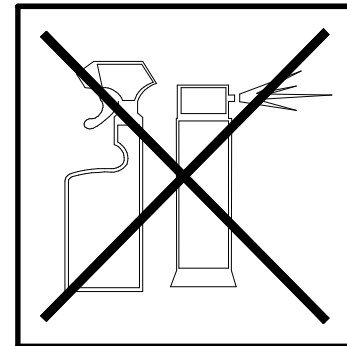
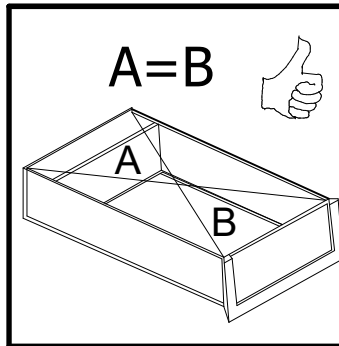
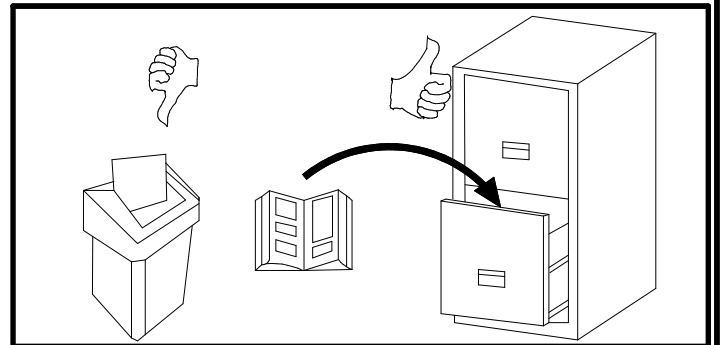
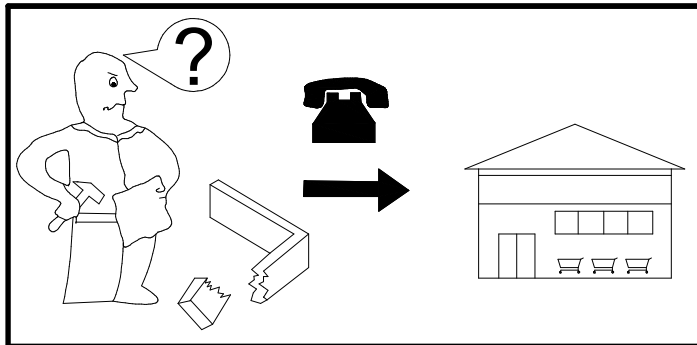
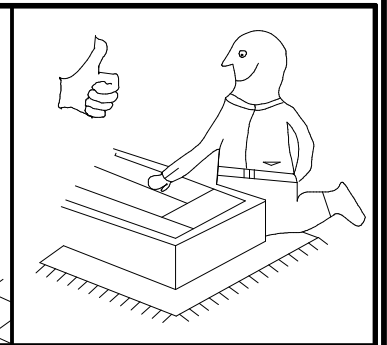
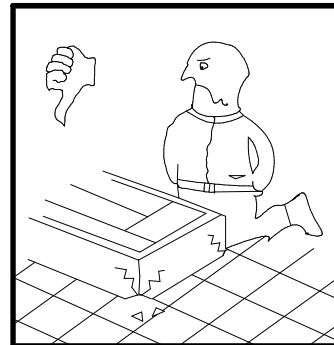
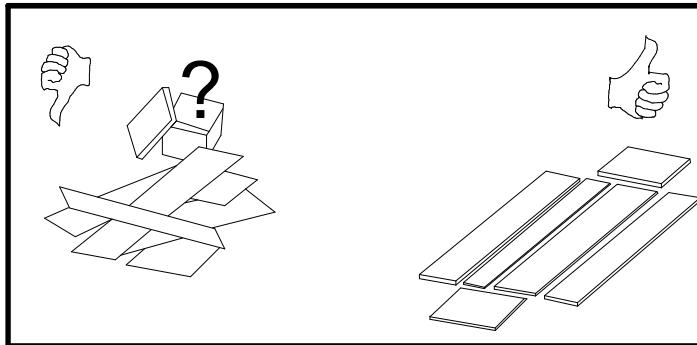
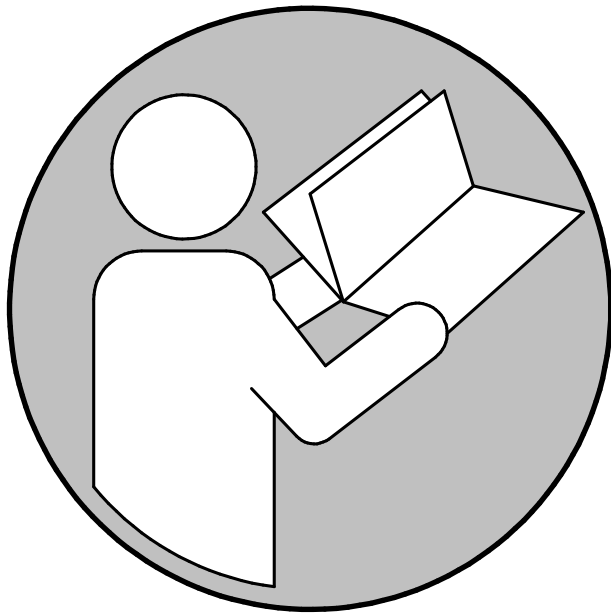


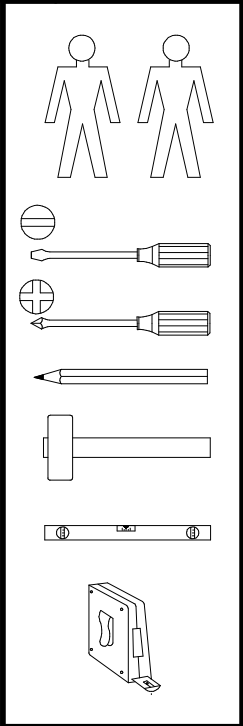
# 5B



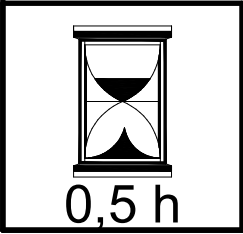
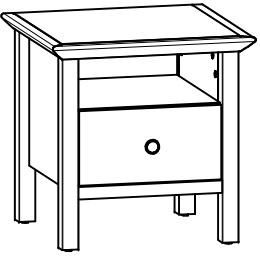
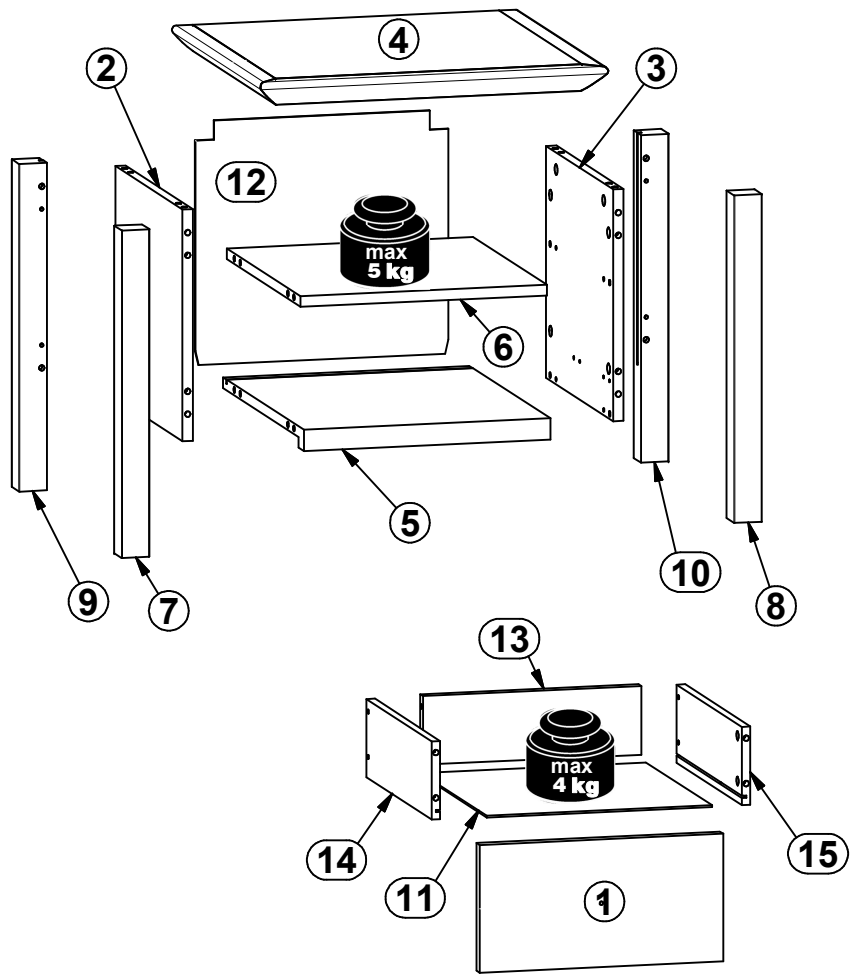
6 



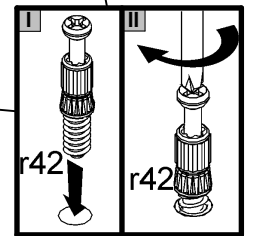
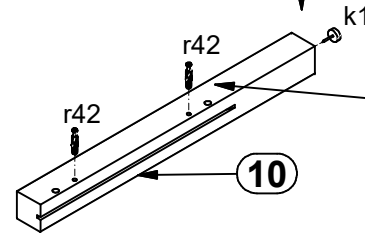
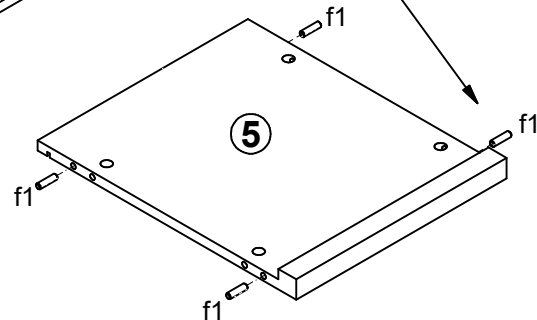
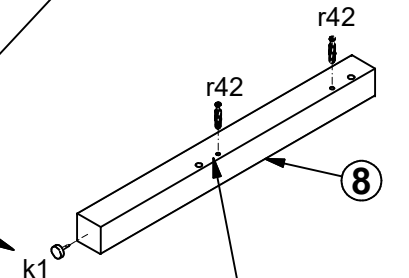
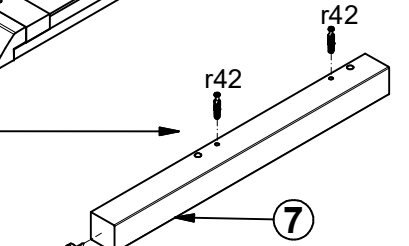
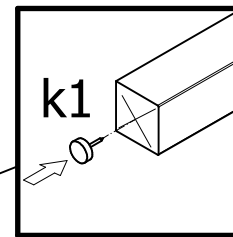
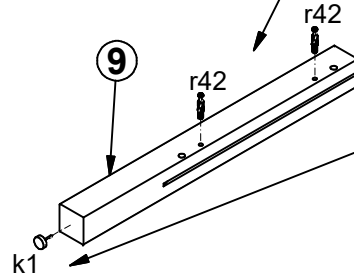
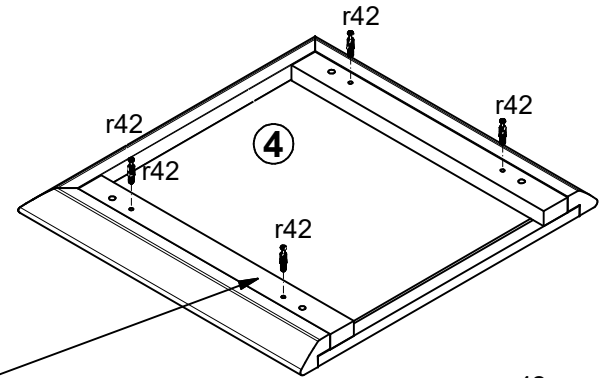
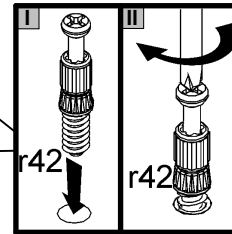
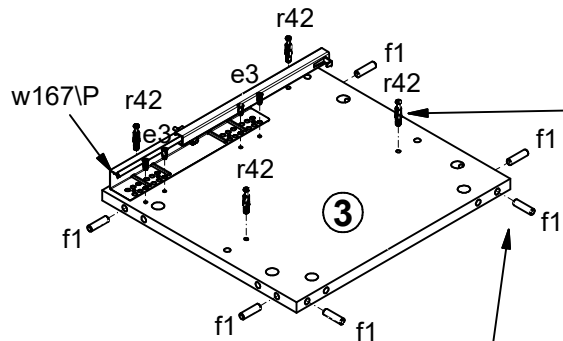
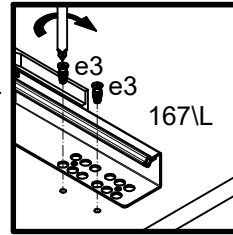
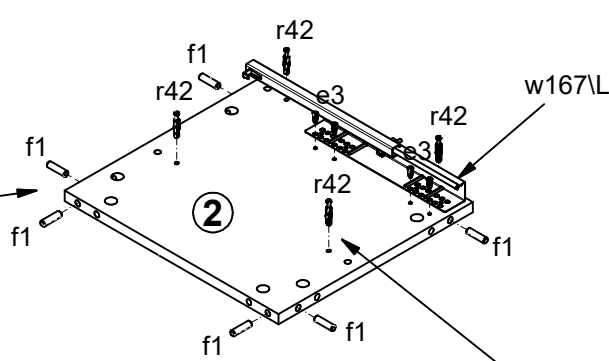
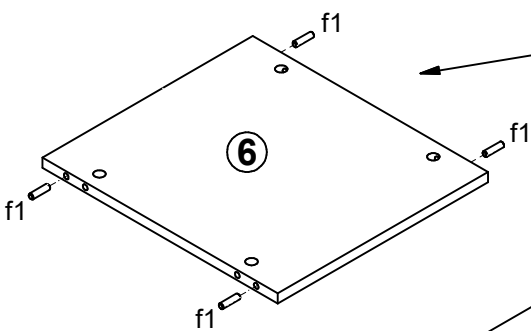
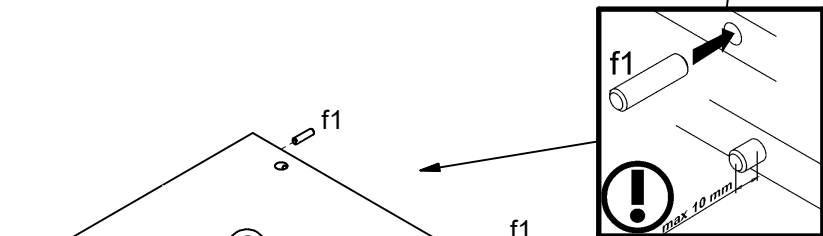
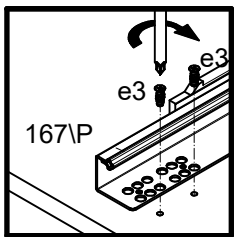
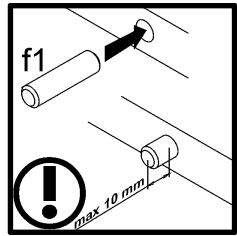










A	B	C (mm)			D
1	L96-0001	350	180	18	1/1
2	L96-1001	327	360	15	1/1
3	L96-1002	327	360	15	1/1
4	L96-2001	500	475	38,	1/1
5	L96-3001	354	435	30	1/1
6	L96-3002	354	396	15	1/1
7	L96-5001	462	40	40	1/1
8	L96-5002	462	40	40	1/1
9	L96-5003	462	40	40	1/1
10	L96-5004	462	40	40	1/1
11	L96-9001	324	355	2,5	1/1
12	L96-9002	344	364	2,5	1/1
13	ZQ6-5062	314	97	15	1/1
14	ZQ6-519	350	110	12	1/1
15	ZQ6-520	350	110	12	1/1

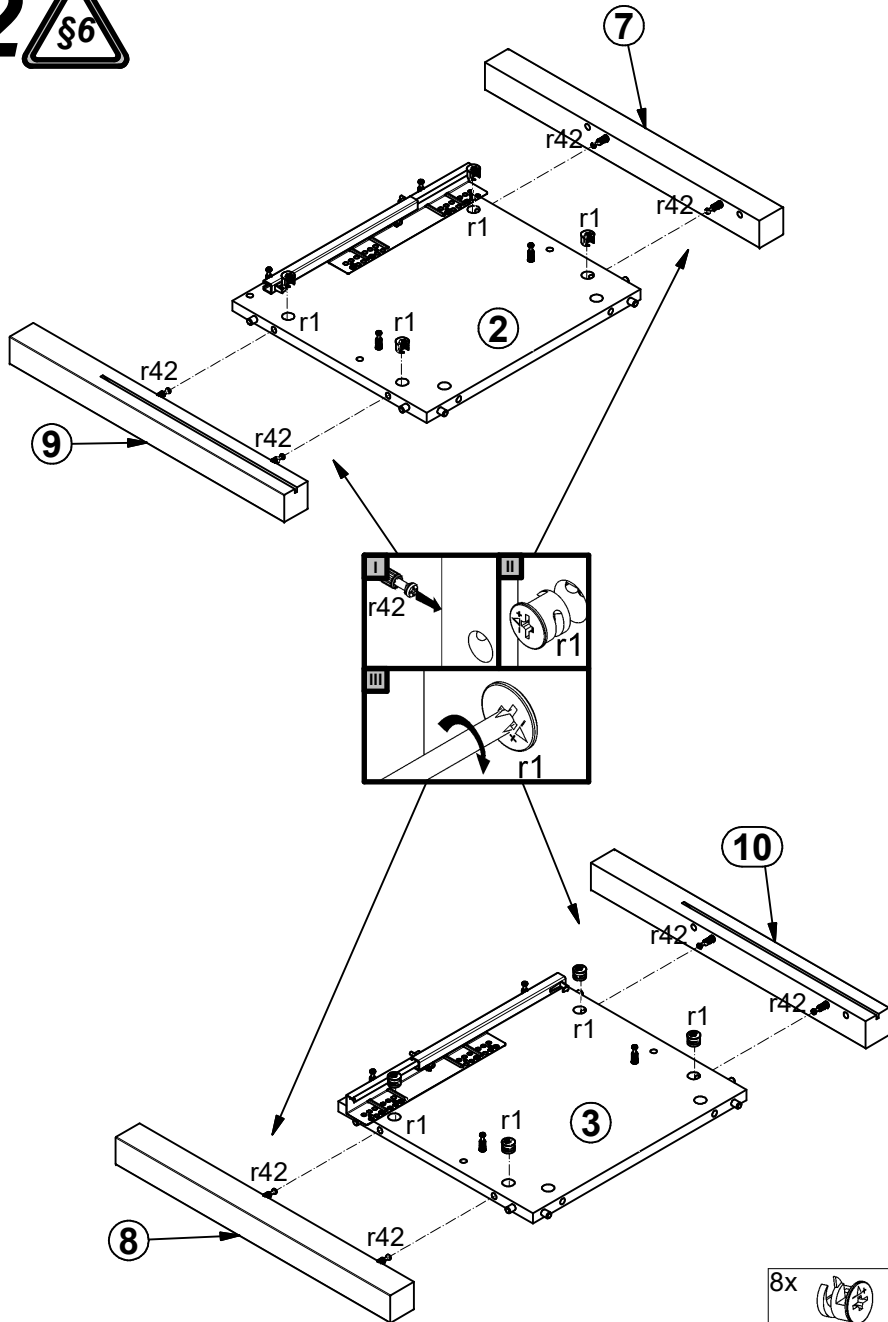



1x c509	8x Ø6x13 mm e3	20x Ø8x30 mm f1	4x Ø6,5x40 mm f25	4x k1	4x l2	1x Ø4x35 mm p26	3x Ø3,5x16 mm p38	2x Ø2,9x16 mm p55	20x Ø15x12 mm #16 r1	4x Ø12x10,5 mm #12 r15	24x r42	8x s2
1x naklejka S9317	1x 350mm w167L	1x 350mm w167P							1x 88x21x15/1,5 n1412	2x Ø3,5x16 mm p38	1x Ø10x50 mm f35	1x Ø5x60 mm p17



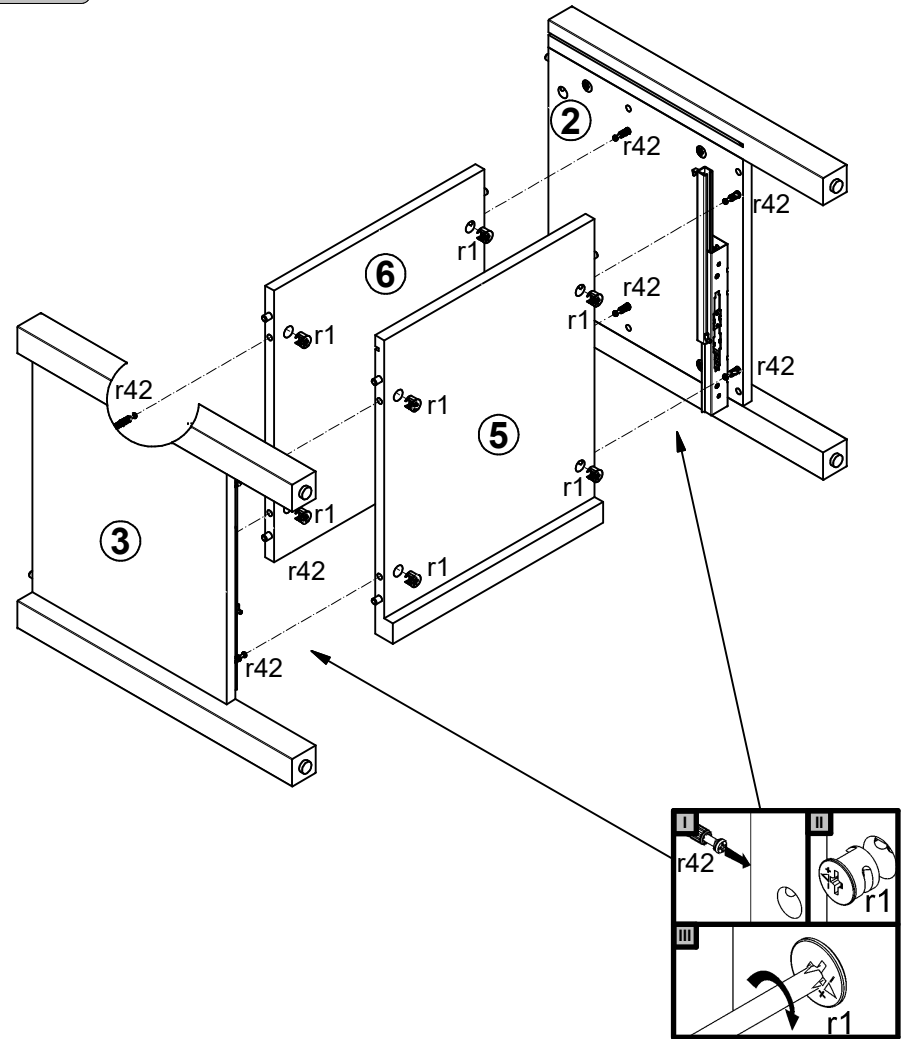
- 4x  k1
- 1x  w167P
- 1x  w167L
- 8x  e3
- 20x  r42
- 20x  f1

2 §6



8x  r1  
Ø15x12 mm #16

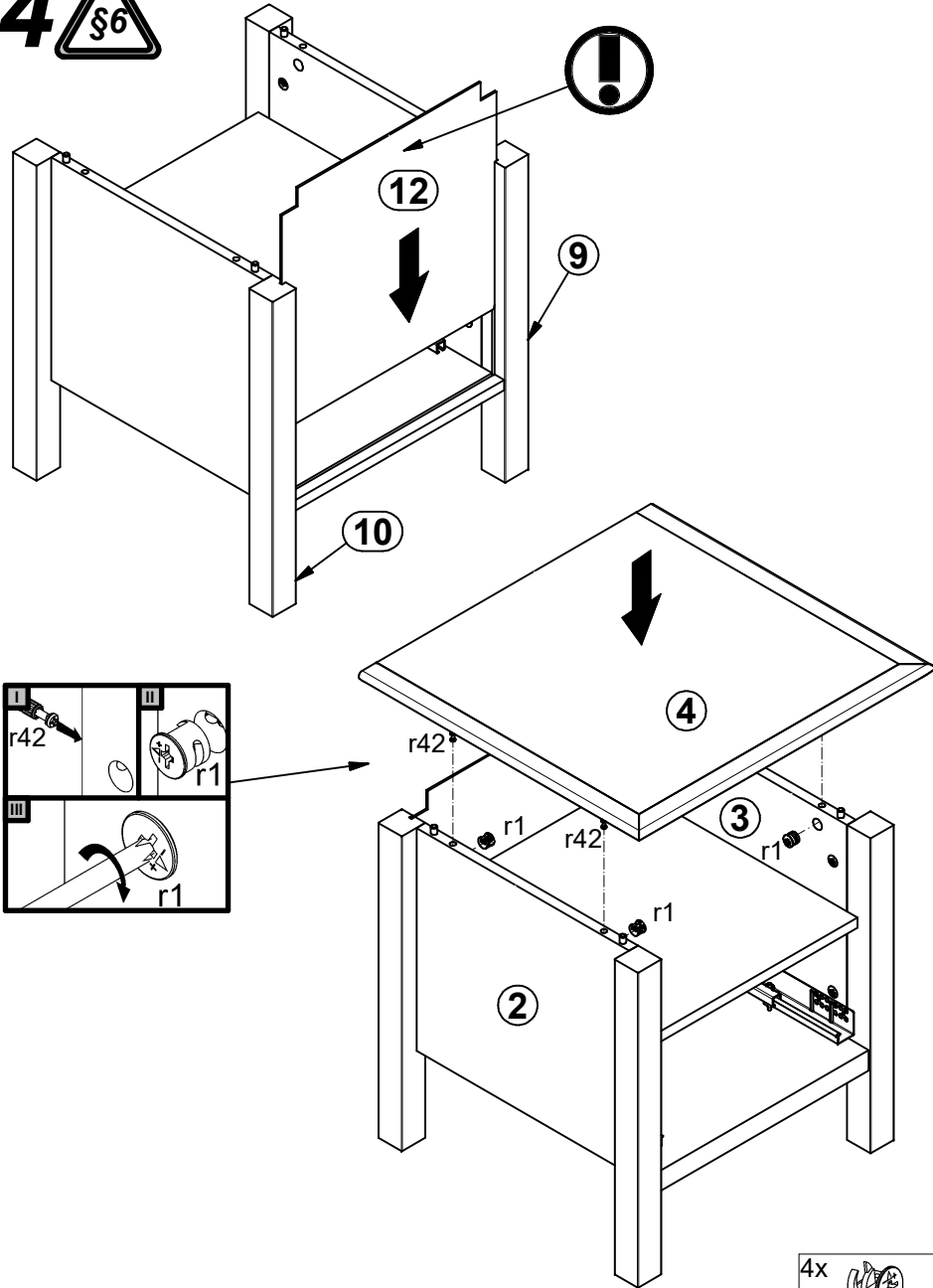
3 §6




8x  r1  
Ø15x12 mm #16

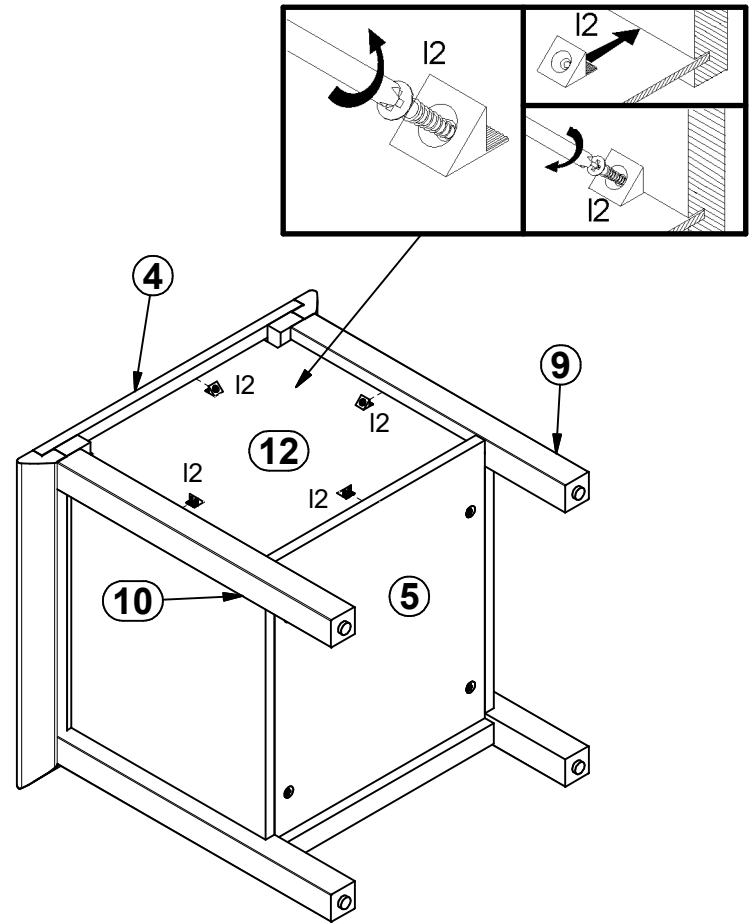



4 



4x  r1  
Ø15x12 mm #16

5 

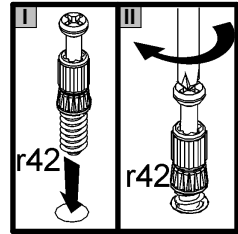
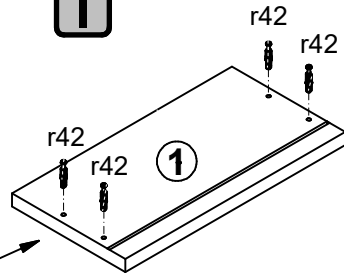


4x  l2

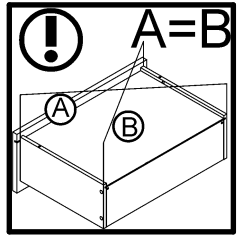
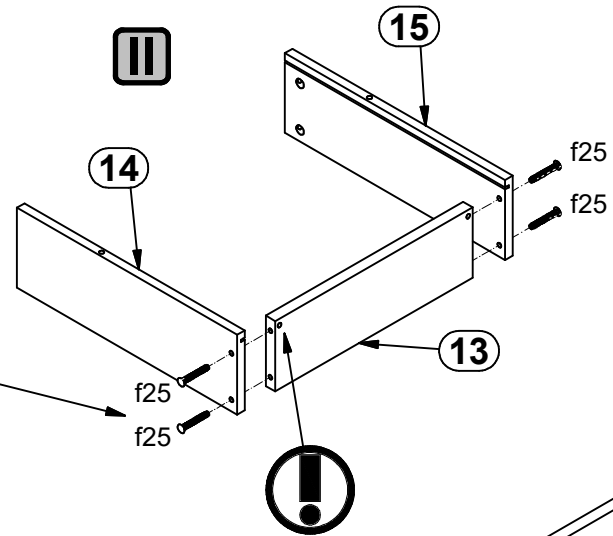
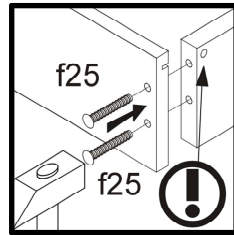


6

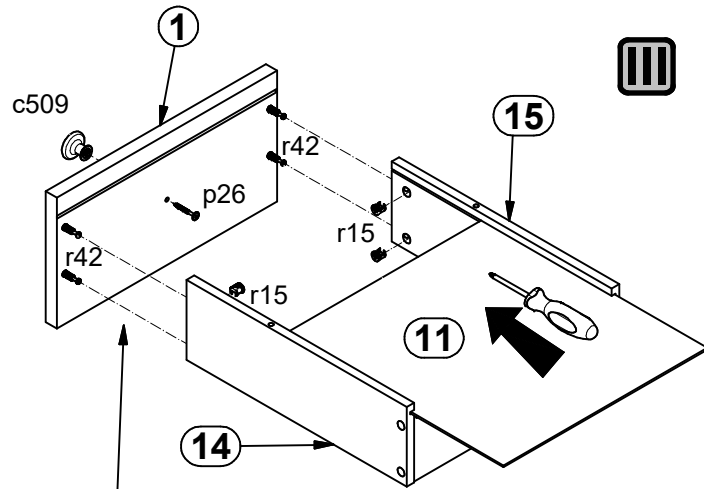
I



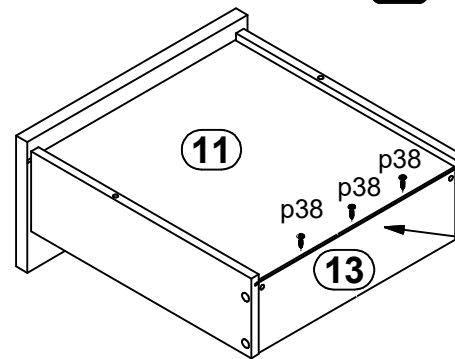
II



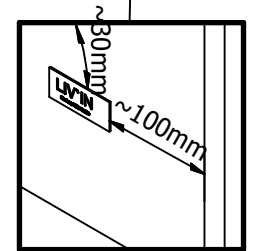
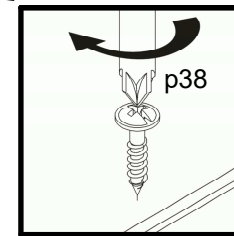
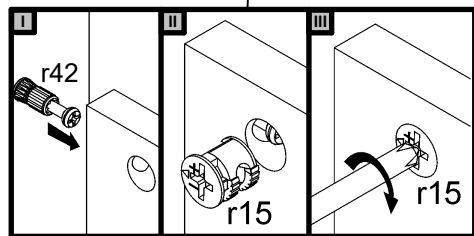
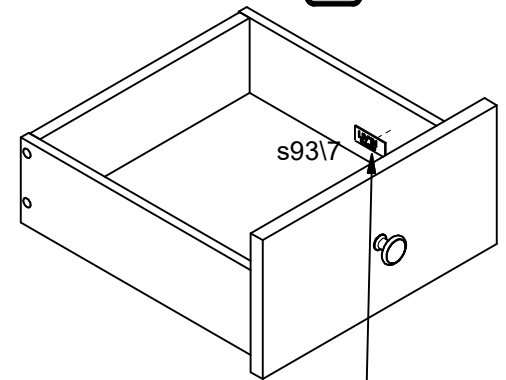
III



IV

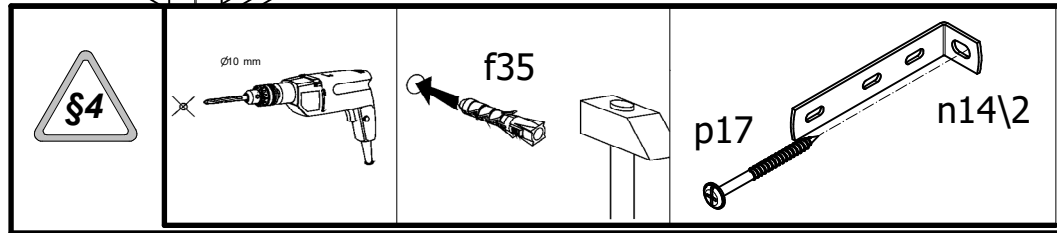
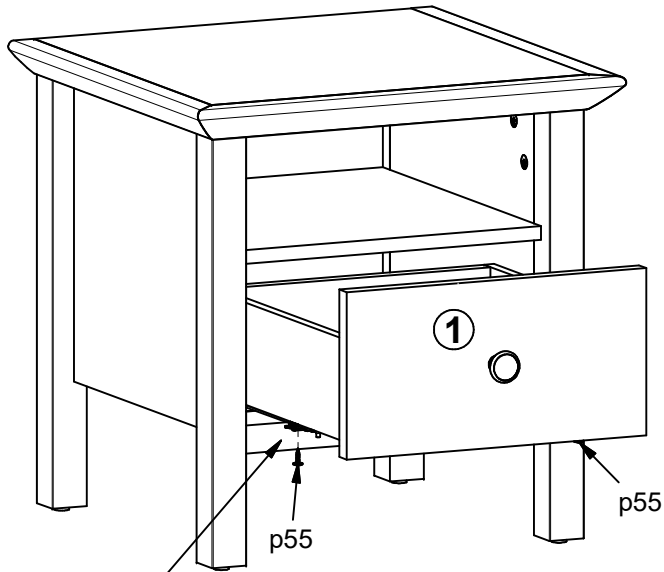
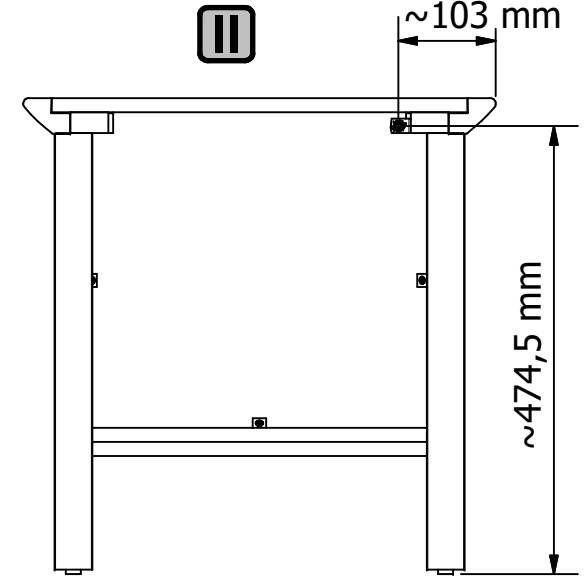
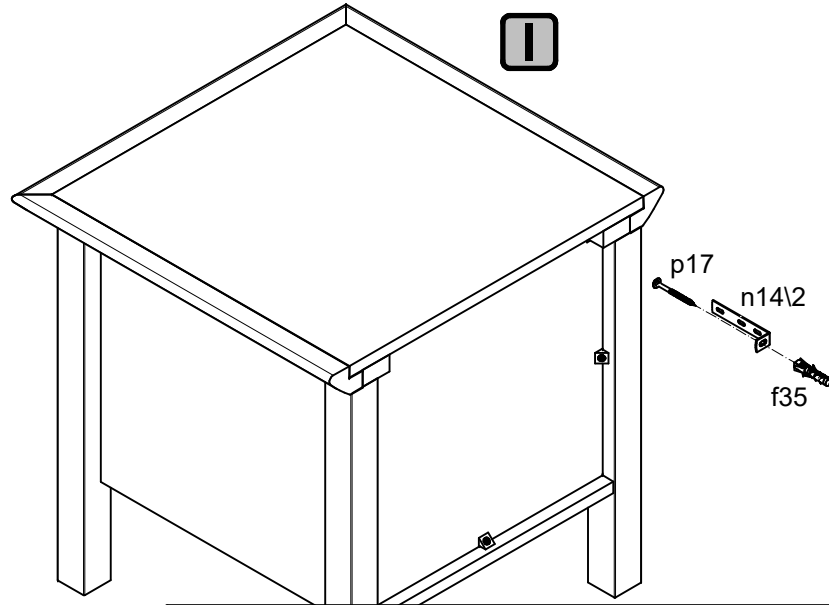


V

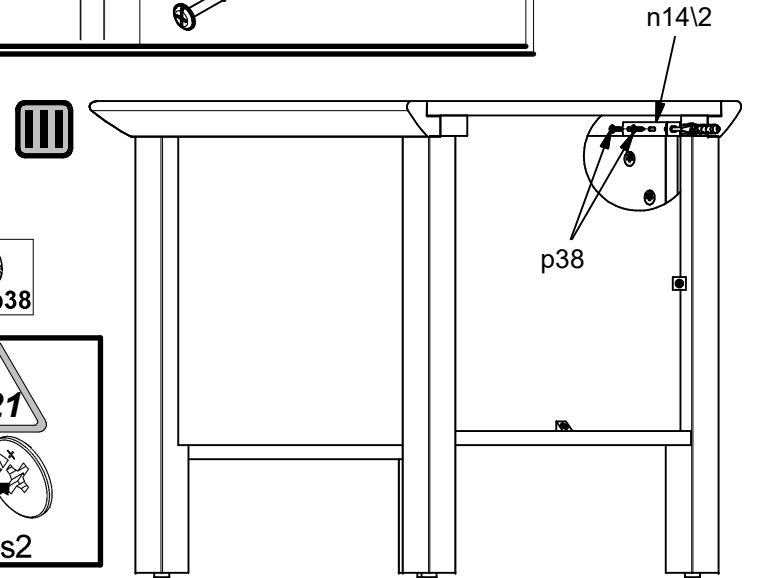
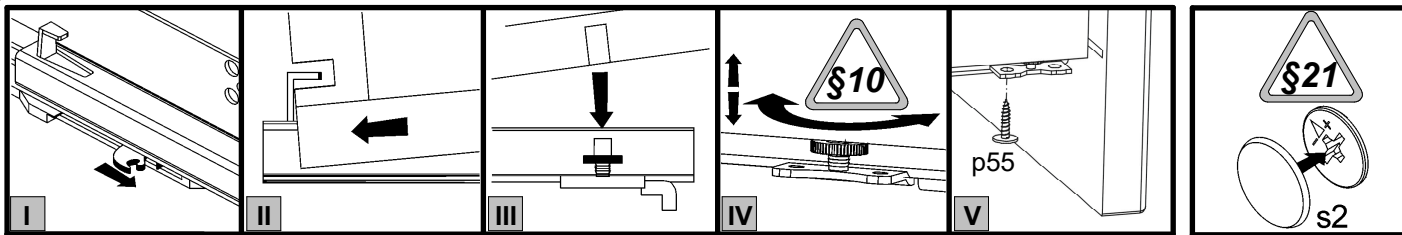


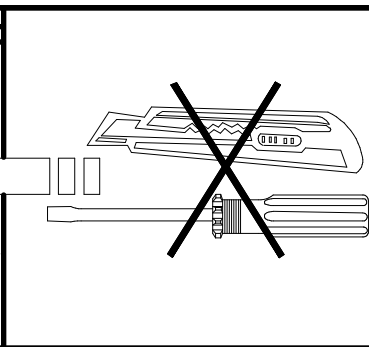
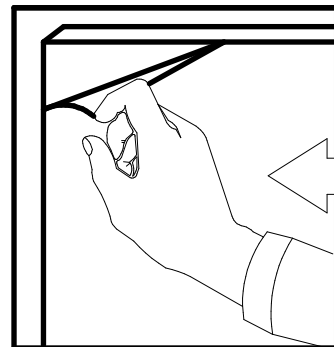
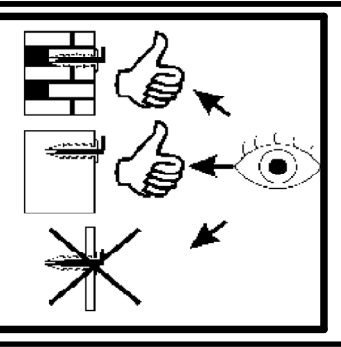
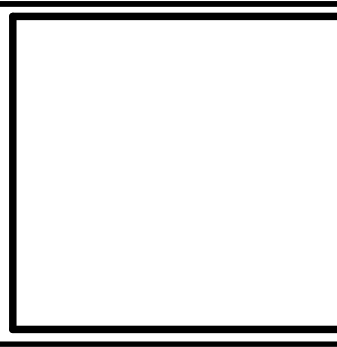
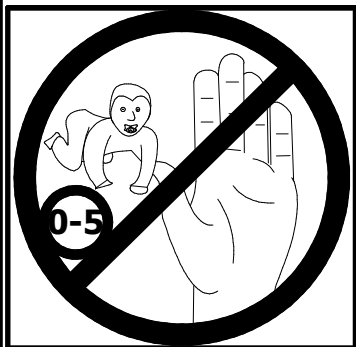
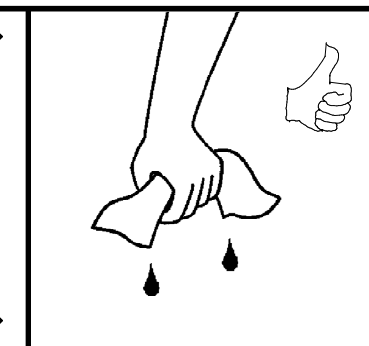
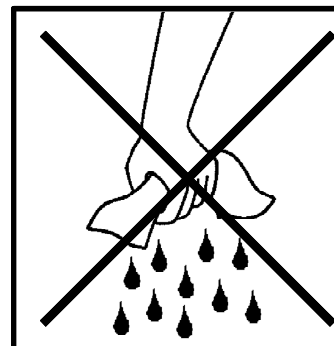
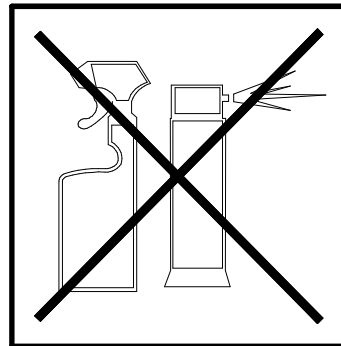
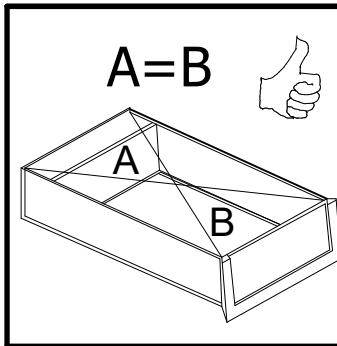
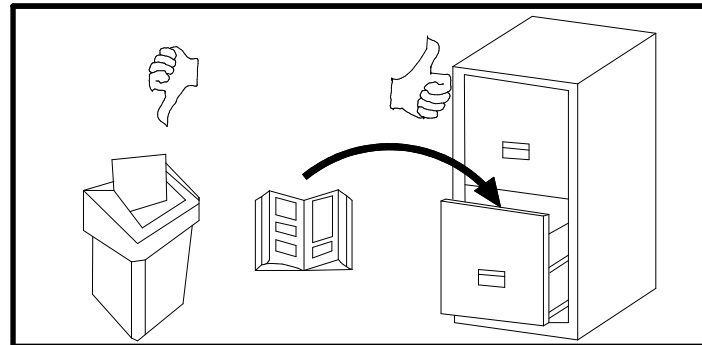
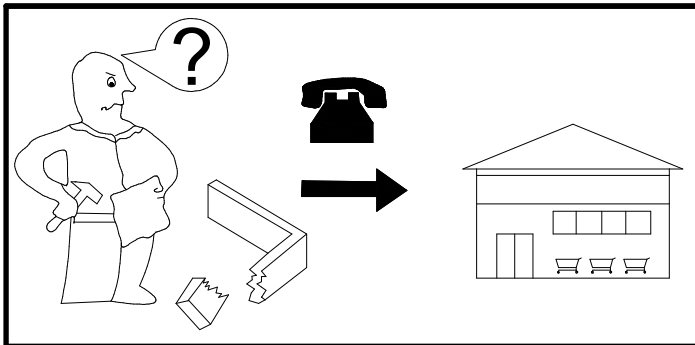
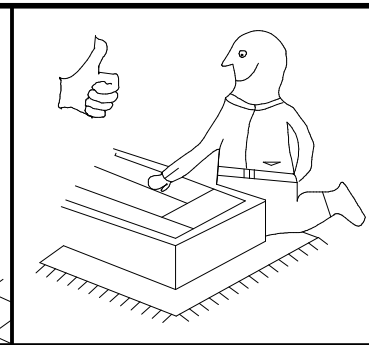
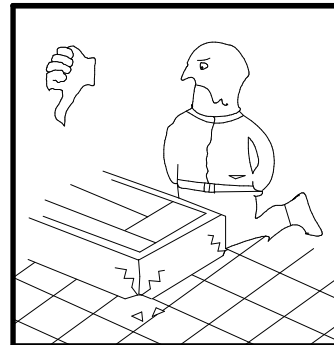
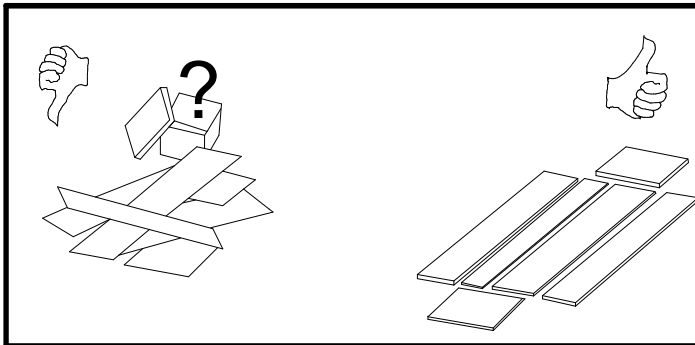
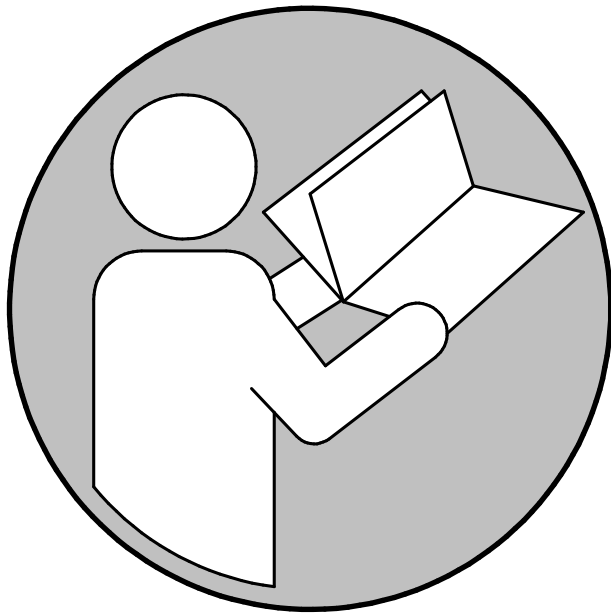
- 1x c509
- 1x Ø4x35 mm p26
- 3x Ø3,5x16 mm p38
- 4x Ø12x10,5 mm #12 r15
- 4x Ø6,5x40 mm f25
- 4x 20/11 r42
- 1x LVM naklejka s9317

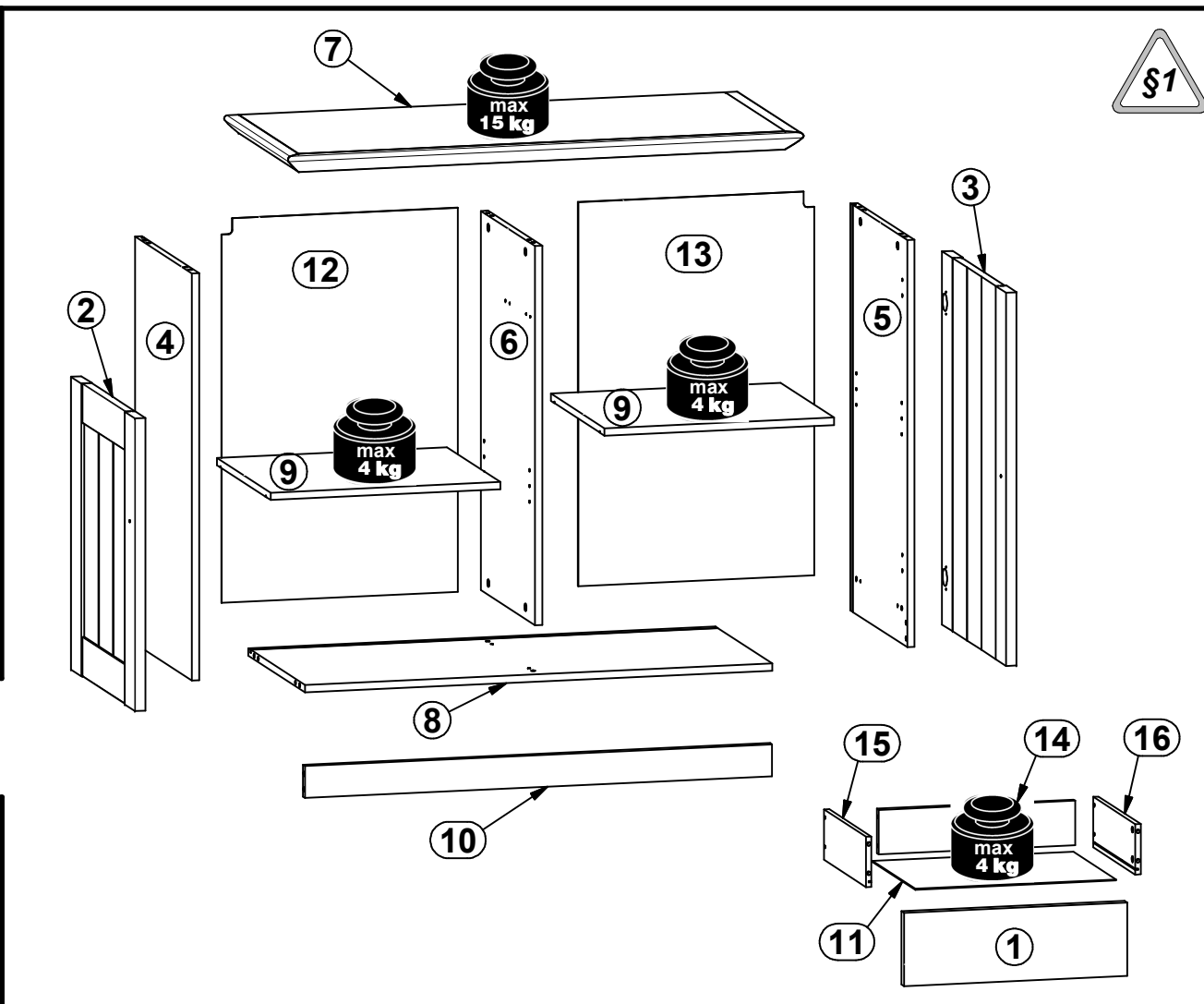
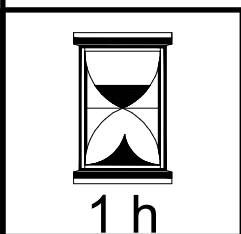
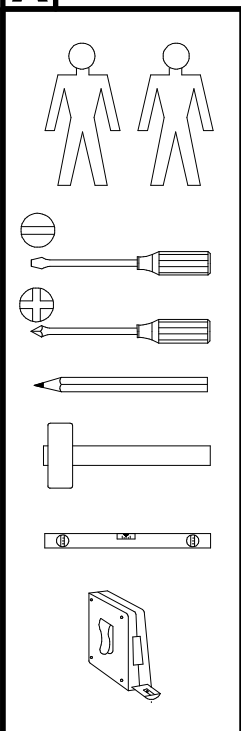
7 §6



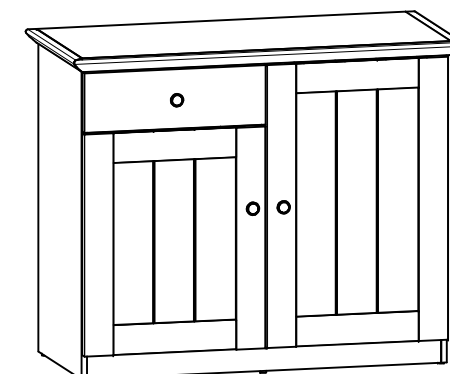
- |                            |                         |
|----------------------------|-------------------------|
| 2x<br>Ø2.9x16 mm<br>p55    | 8x<br>Ø16<br>s2         |
| 1x<br>Ø10x50 mm<br>f35     | 1x<br>Ø5x60 mm<br>p17   |
| 1x<br>8x21x15/1.5<br>n14\2 | 2x<br>Ø3.5x16 mm<br>p38 |





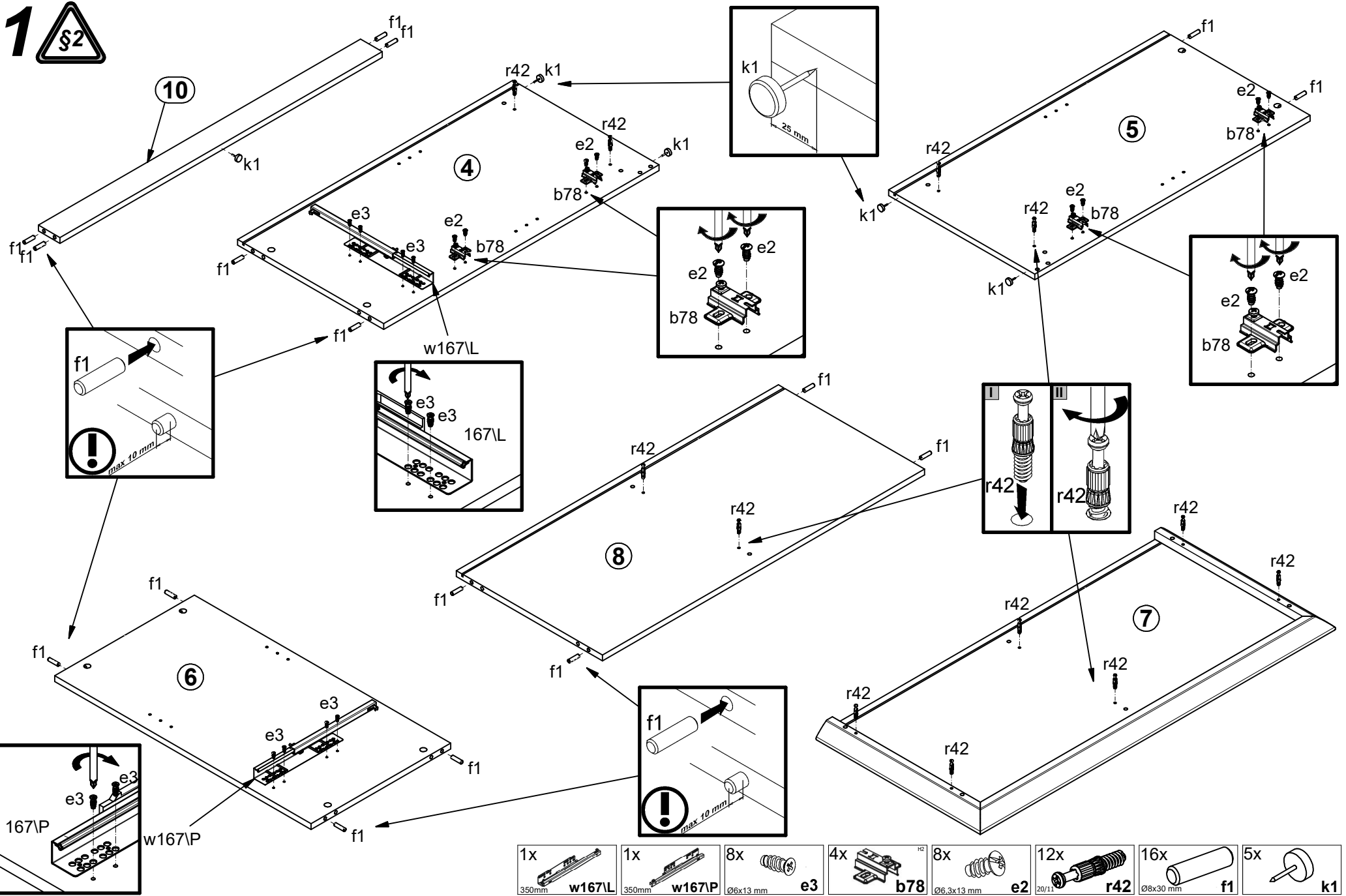


A	B	C (mm)			D
1	L96-0002	496	160	22	1/2
2	L96-0003	596	496	22	1/2
3	L96-0004	760	496	22	1/2
4	L96-1003	829	440	15	2/2
5	L96-1004	829	440	15	2/2
6	L96-1005	772	420	15	2/2
7	L96-2002	1070	495	38	1/2
8	L96-3003	970	440	15	1/2
9	L96-3004	477	415	15	2/2
10	L96-4001	970	65	15	1/2
11	L96-9003	447	355	3	1/2
12	L96-9004	782	490	3	1/2
13	L96-9005	782	490	3	1/2
14	ZQ6-5046	437	97	15	2/2
15	ZQ6-519	350	110	12	2/2
16	ZQ6-520	350	110	12	2/2



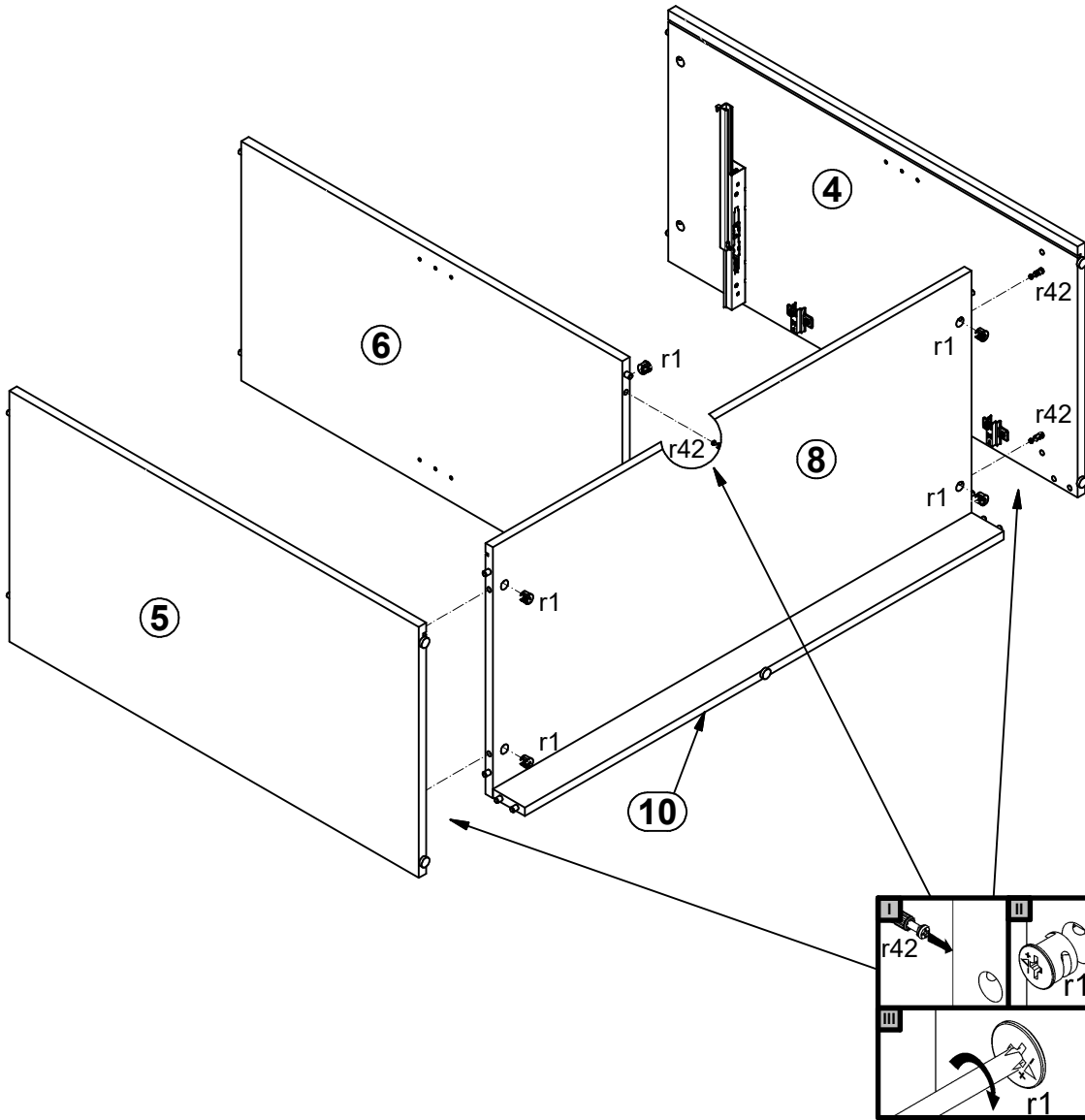
cm 0 1 2 3 4 5 6 7 8 9 10


4x  a158	4x  b78	3x  c509	8x  d1	e2	e3	f1
4x  f25	5x  k1	8x  l2	3x  n108	4x  p38	8x  p51	5x  p55
4x  s2	1x  s93/7	12x  r1	4x  r15	16x  r42	1x  w167/L	1x  w167/P
		2x  n14/2	4x  p38	2x  f35	2x  p17	



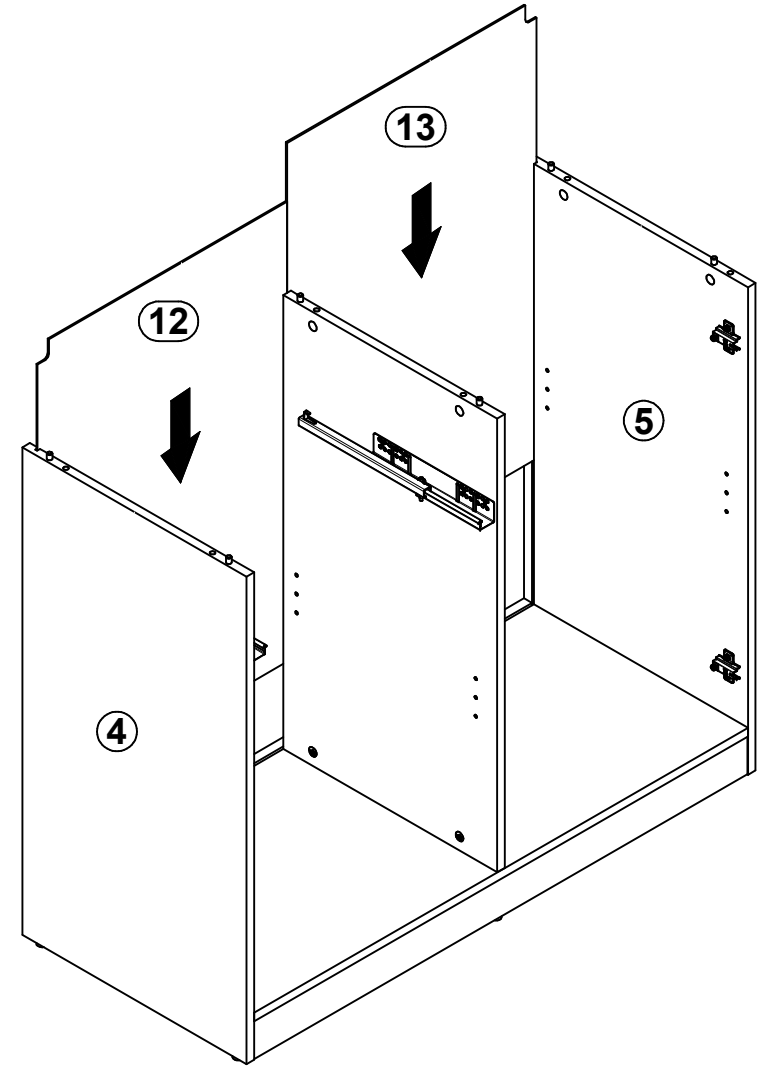
- |                      |                      |                      |           |                        |                     |                       |          |
|----------------------|----------------------|----------------------|-----------|------------------------|---------------------|-----------------------|----------|
| 1x<br>350mm<br>w167L | 1x<br>350mm<br>w167P | 8x<br>Ø6x13 mm<br>e3 | 4x<br>b78 | 8x<br>Ø6.3x13 mm<br>e2 | 12x<br>20/11<br>r42 | 16x<br>Ø8x30 mm<br>f1 | 5x<br>k1 |
|----------------------|----------------------|----------------------|-----------|------------------------|---------------------|-----------------------|----------|

2 

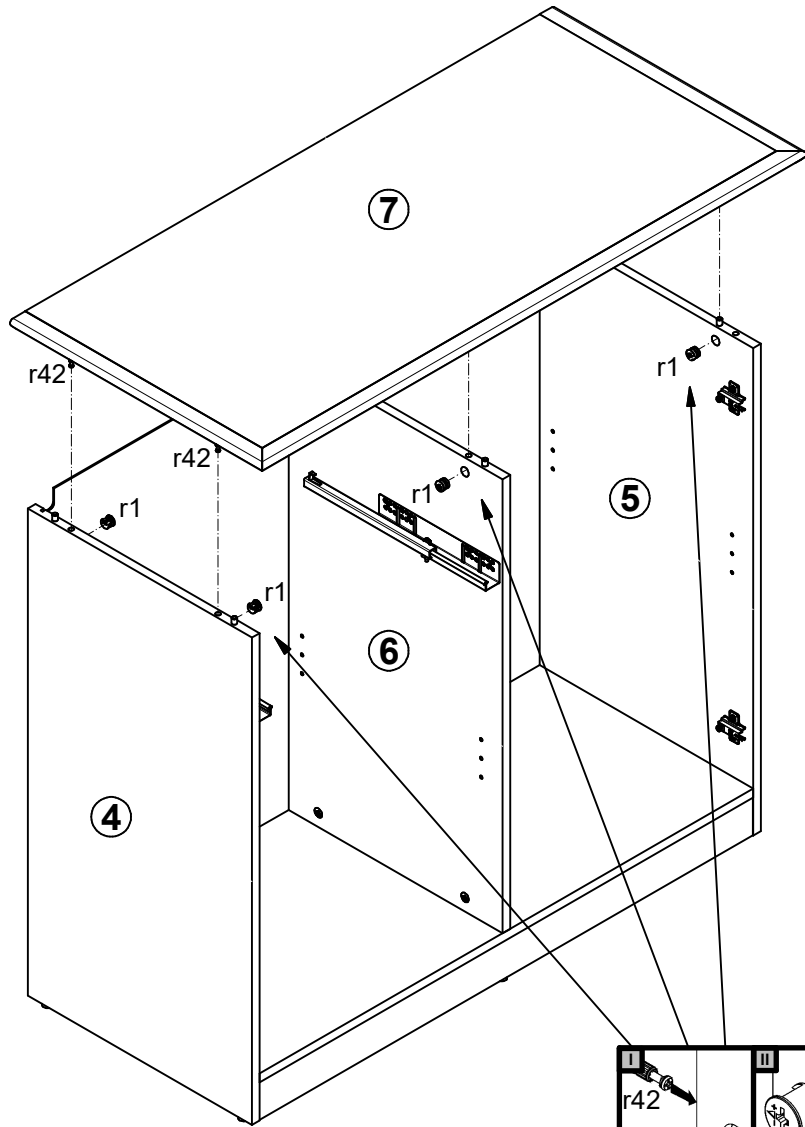



6x  r1  
Ø15x12 mm #16

3 



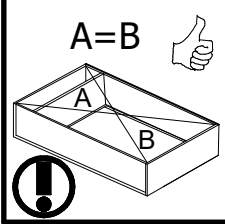
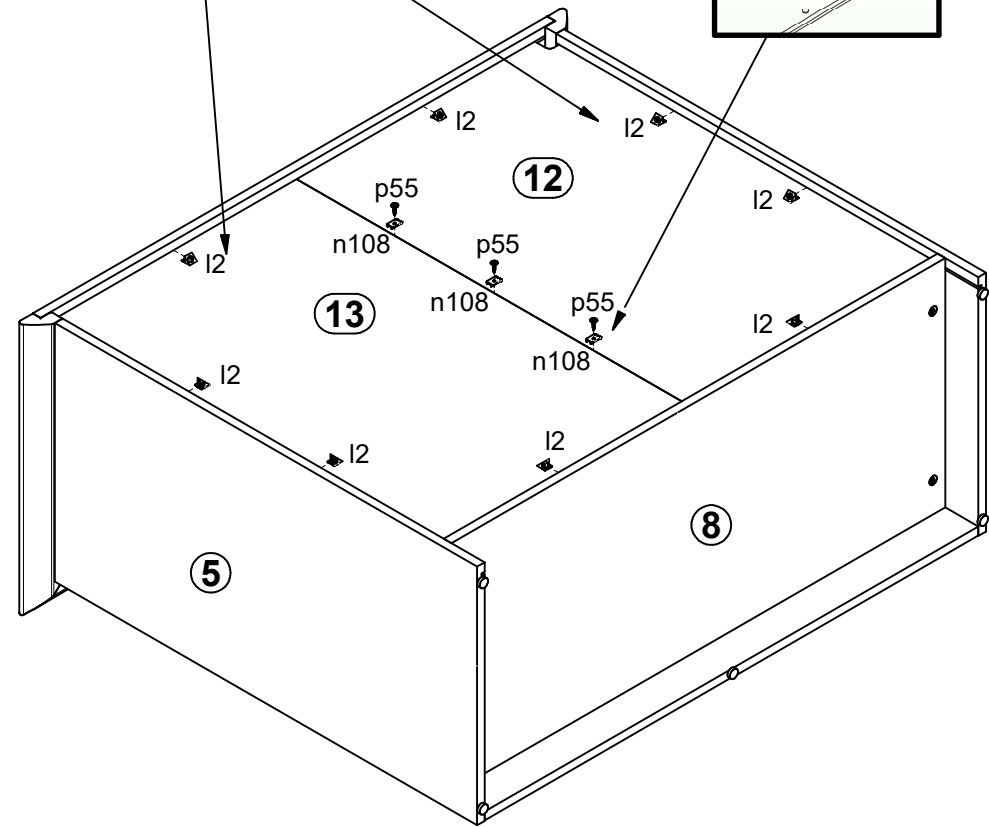
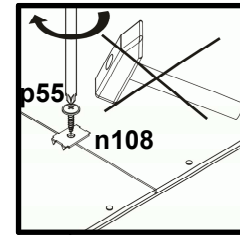
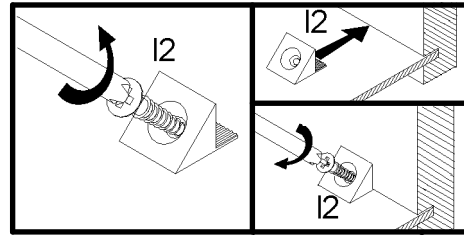
4 





6x  r1  
 Ø15x12 mm #16




5 



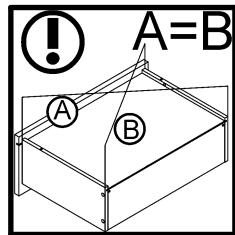
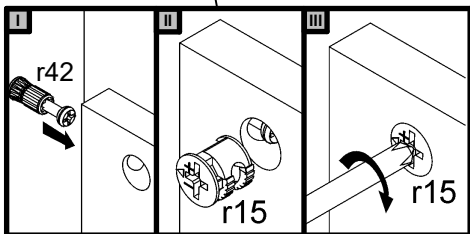
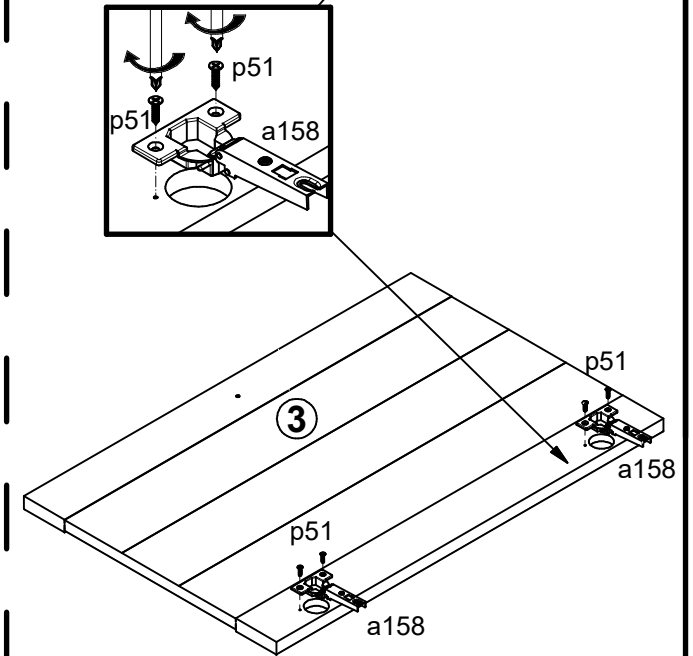
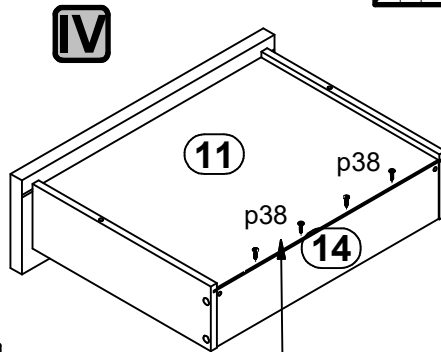
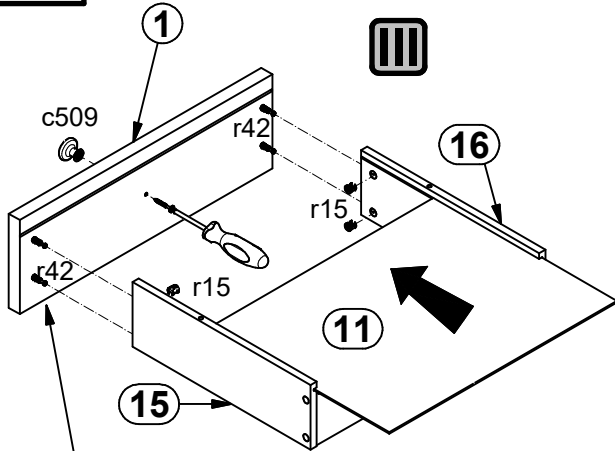
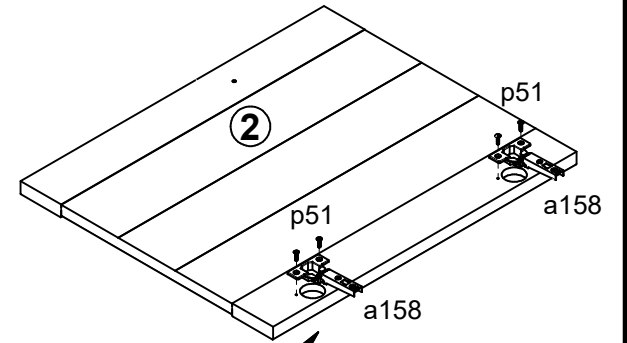
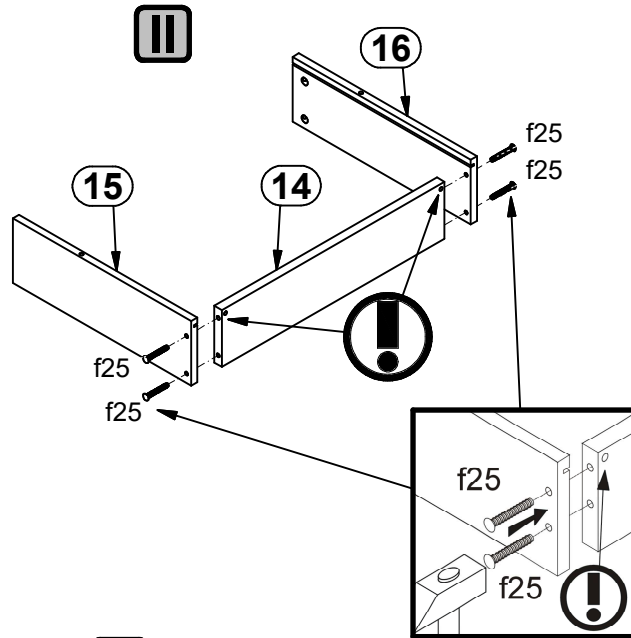
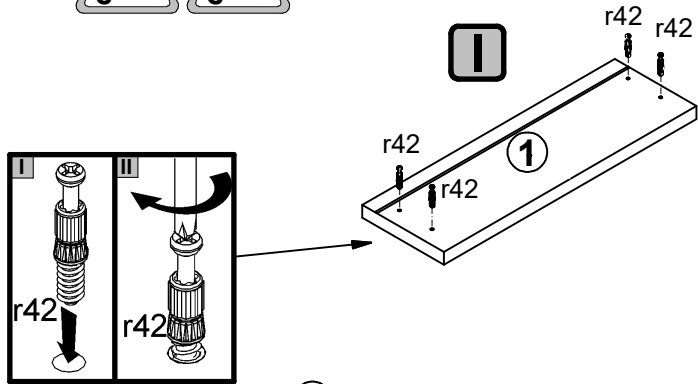
3x  n108  
 22x9,5x20,7 mm

3x  p55  
 Ø2,9x16 mm

8x  l2

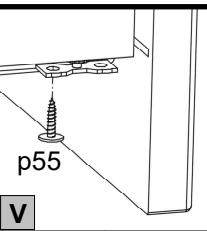
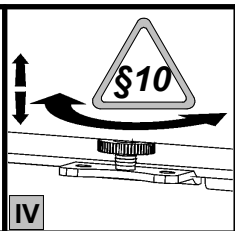
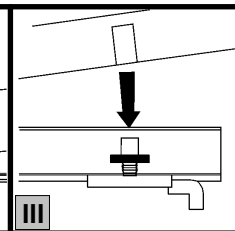
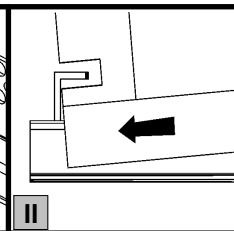
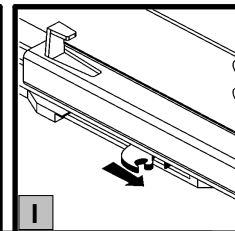
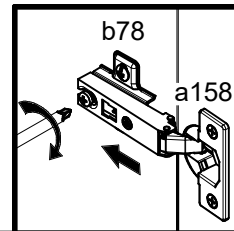
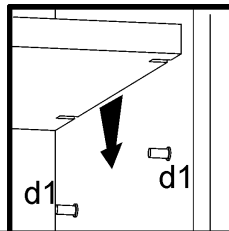
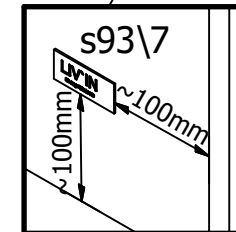
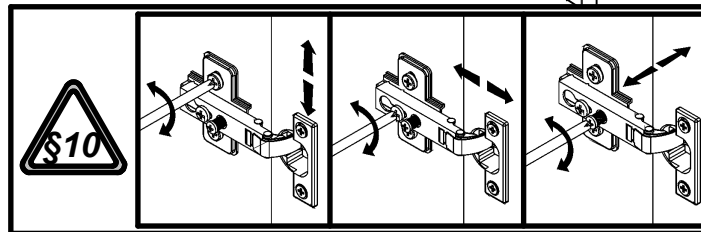
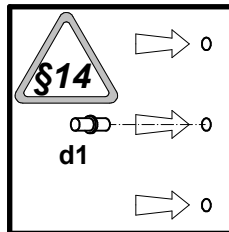
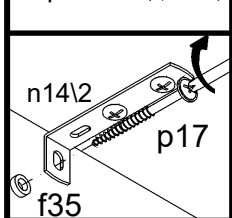
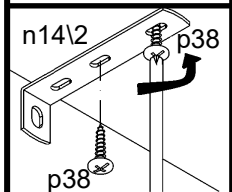
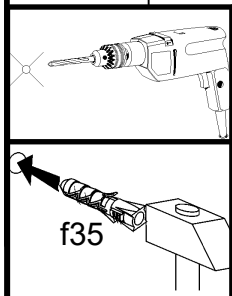
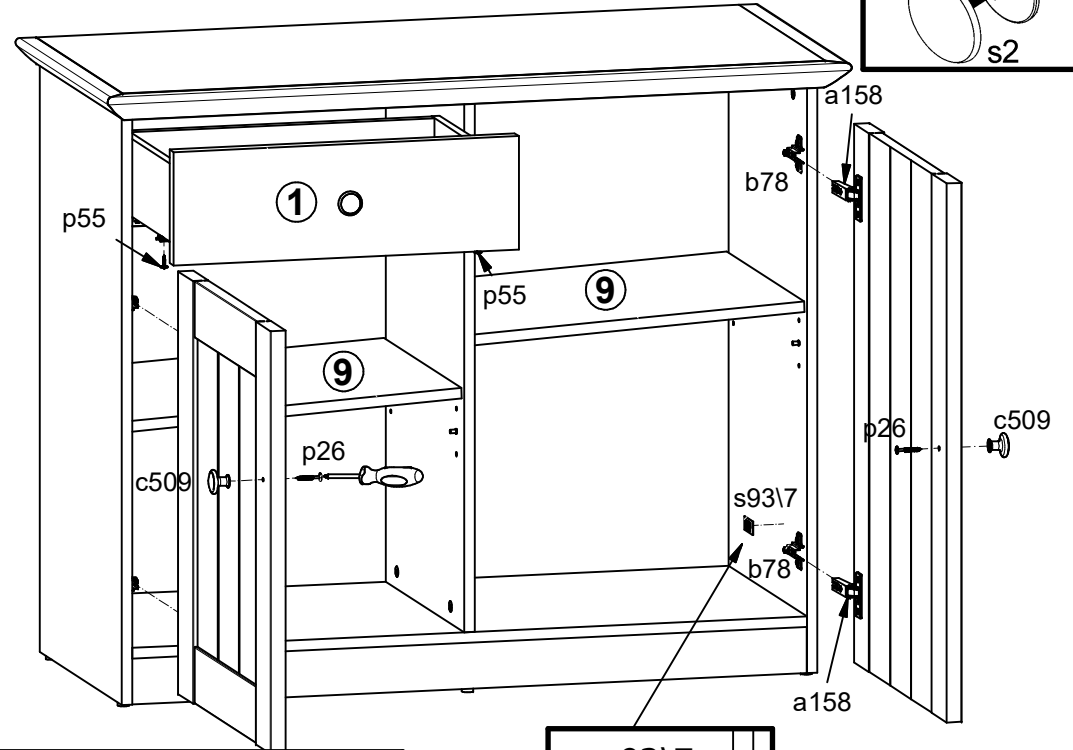
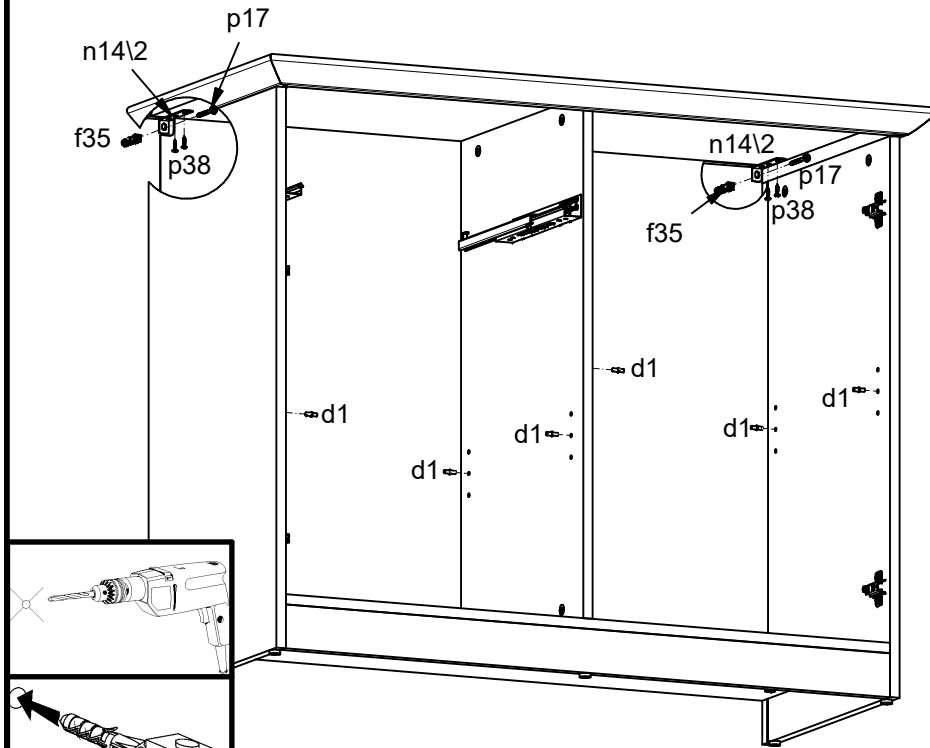
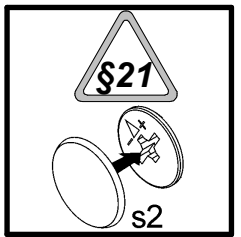
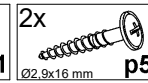
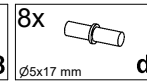
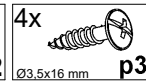
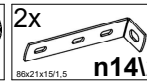
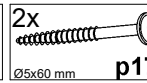


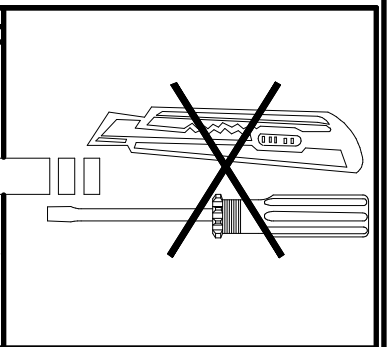
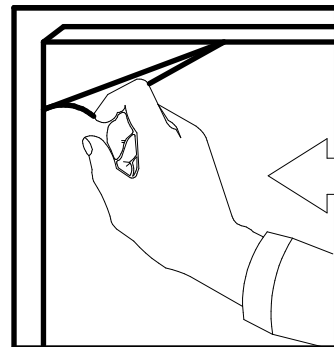
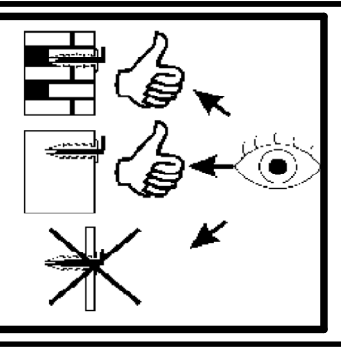
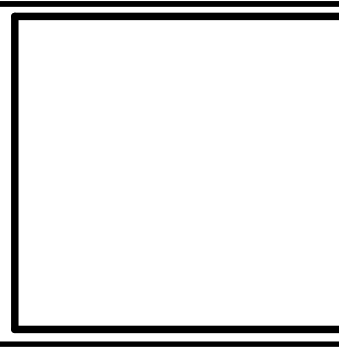
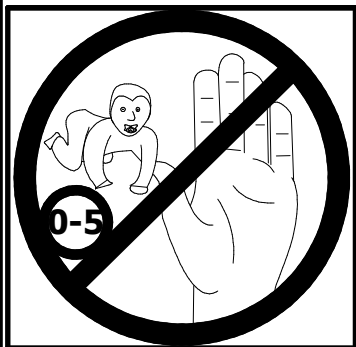
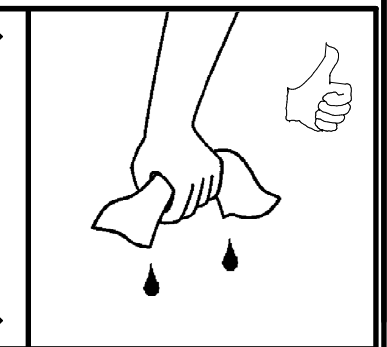
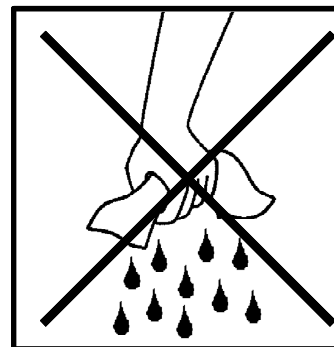
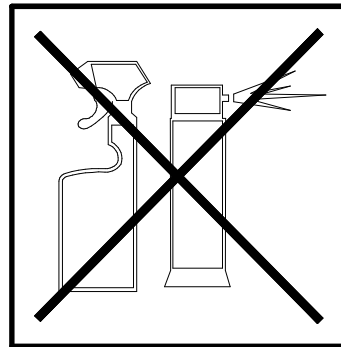
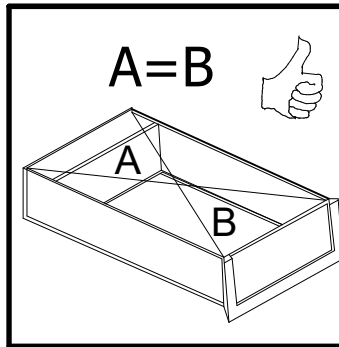
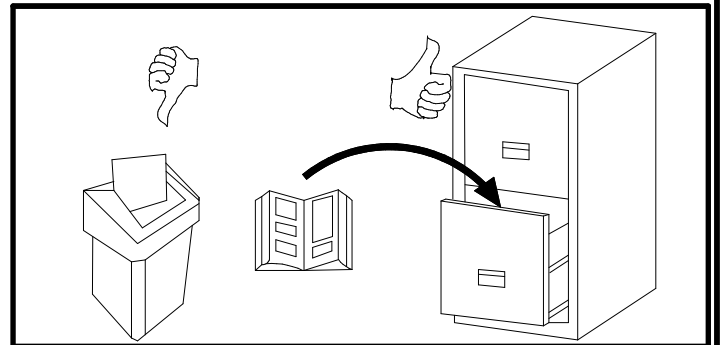
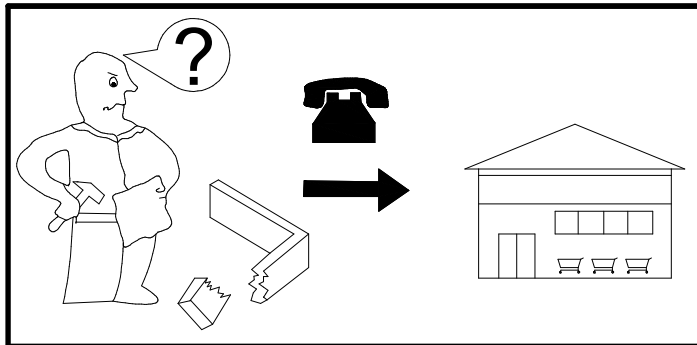
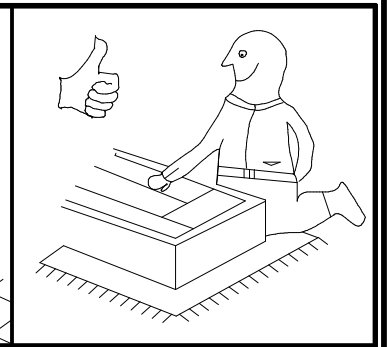
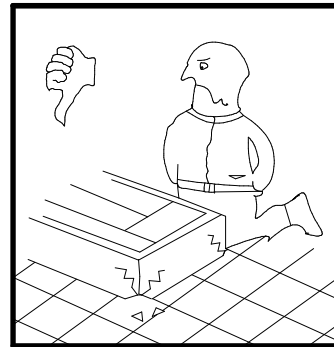
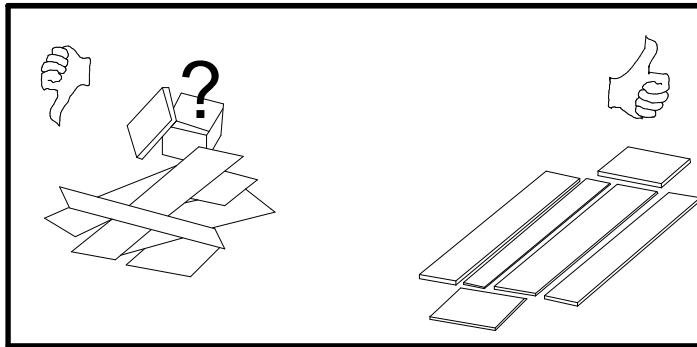
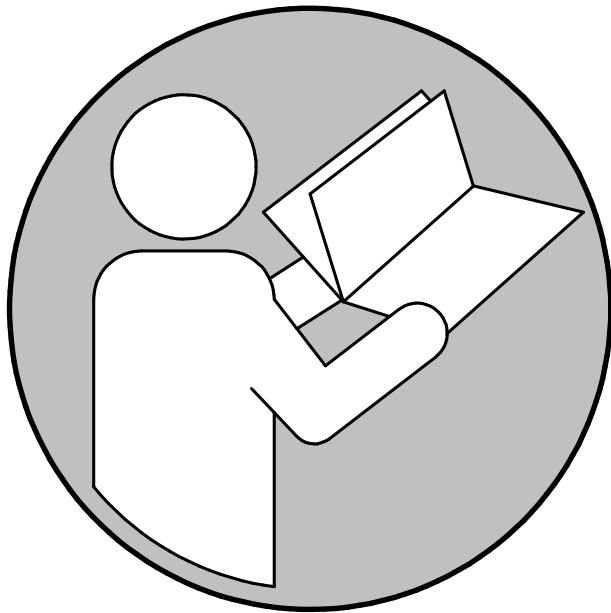
6

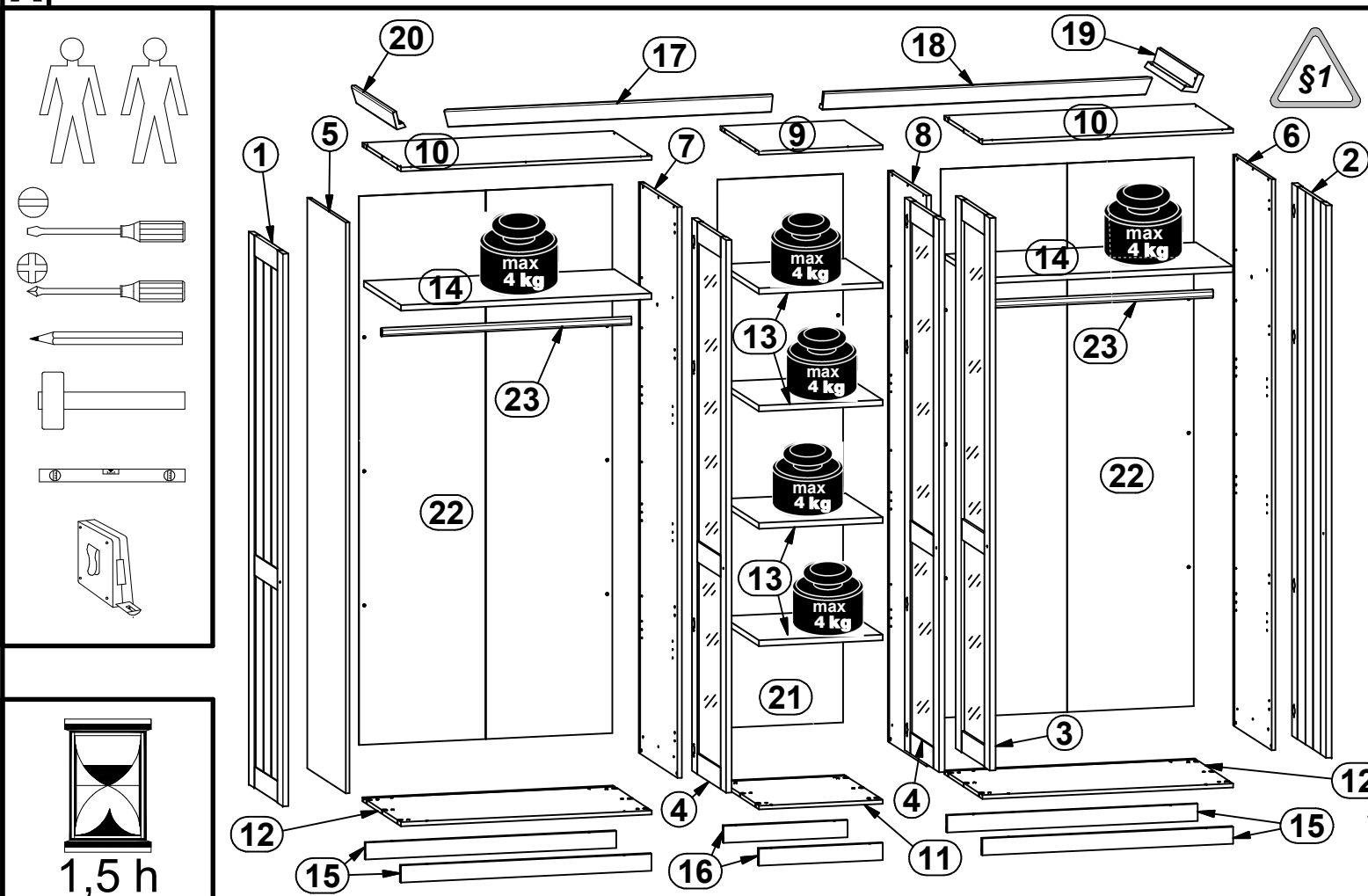


- 4x r42
- 4x Ø6,5x40 mm f25
- 4x Ø12x10,5 mm #12 r15
- 1x c509
- 1x Ø4x35 mm p26
- 4x Ø3,5x16 mm p38

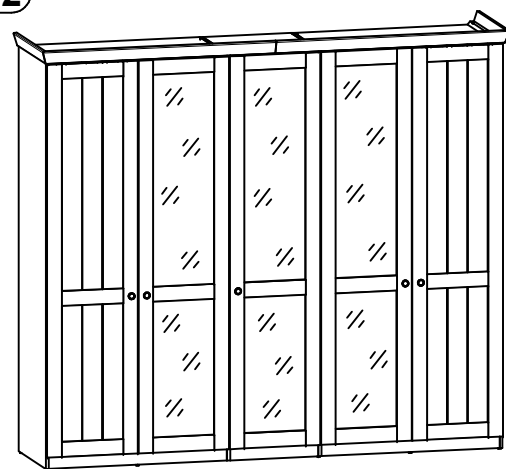
- 4x a158
- 8x Ø3,5x15 mm p51







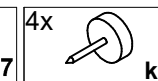
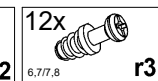
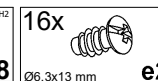
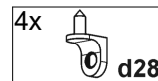
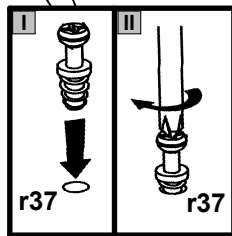
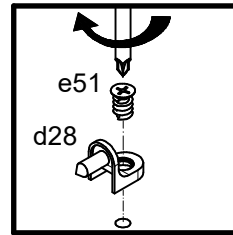
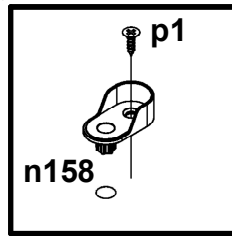
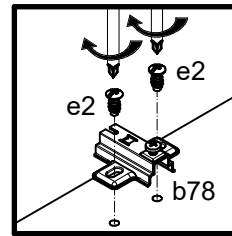
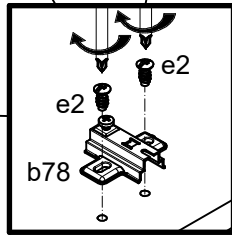
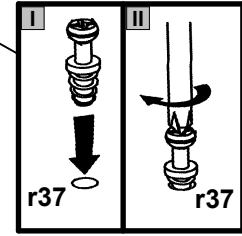
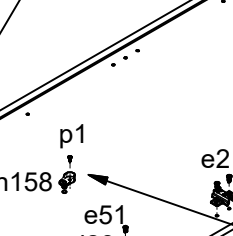
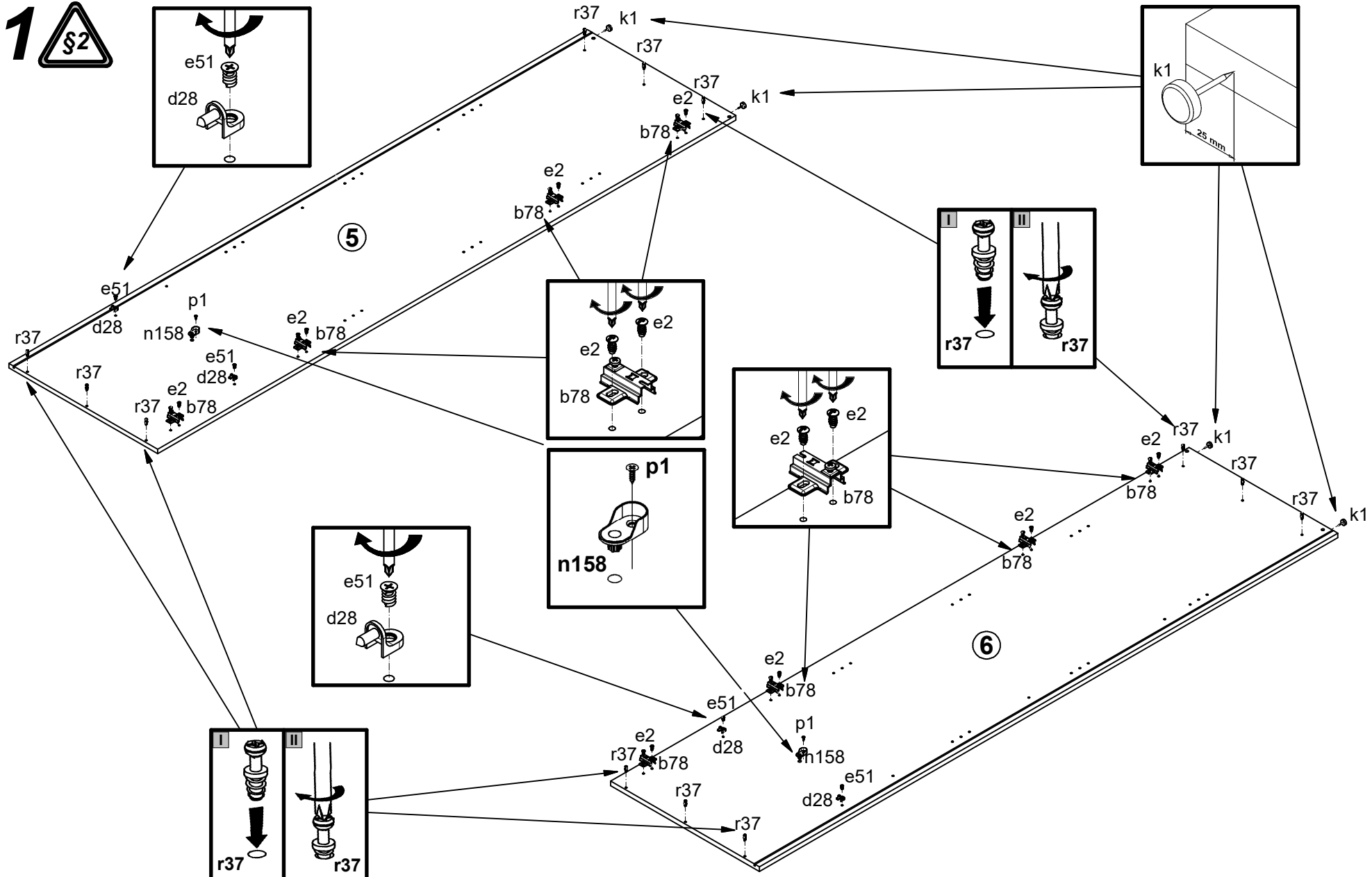
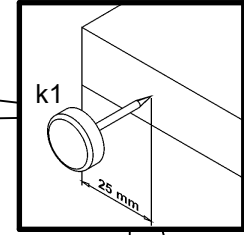
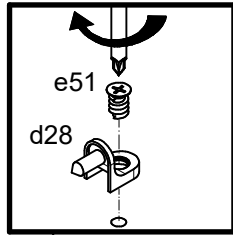
A	B	C (mm)			D
1	L96-0005	2110	496	22	6/7
2	L96-0006	2110	496	22	6/7
3	L96-0007	2110	496	22	6/7
4	L96-0008	2110	496	22	7/7
5	L96-1006	2180	560	15	1/7
6	L96-1007	2180	560	15	1/7
7	L96-1008	2180	560	18	2/7
8	L96-1009	2180	560	18	2/7
9	L96-3005	482	560	15	3/7
10	L96-3006	976	560	15	3/7
11	L96-3007	482	560	15	3/7
12	L96-3008	976	560	15	3/7
13	L96-3009	482	539	22	4/7
14	L96-3010	976	539	22	4/7
15	L96-4002	976	65	15	3/7
16	L96-4003	482	65	15	3/7
17	L96-5007	1278	70	68	5/7
18	L96-5008	1278	70	68	5/7
19	L96-5009	604	70	68	5/7
20	L96-5010	604	70	68	5/7
21	L96-9006	2095	490	2,5	7/7
22	L96-9301	2095	986	2,5	7/7
23	dr-972	972	30	15	3/7



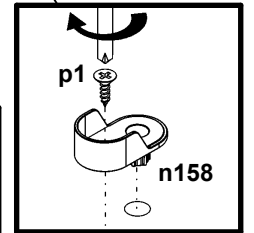
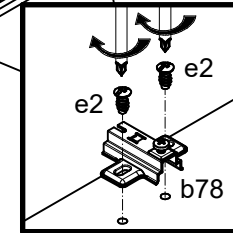
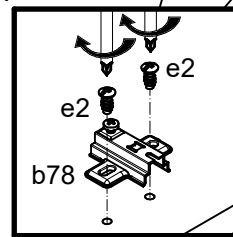
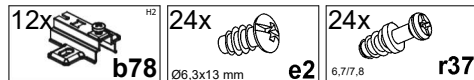
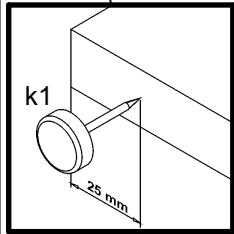
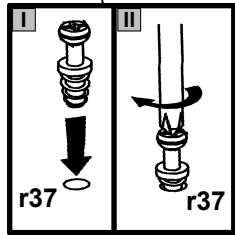
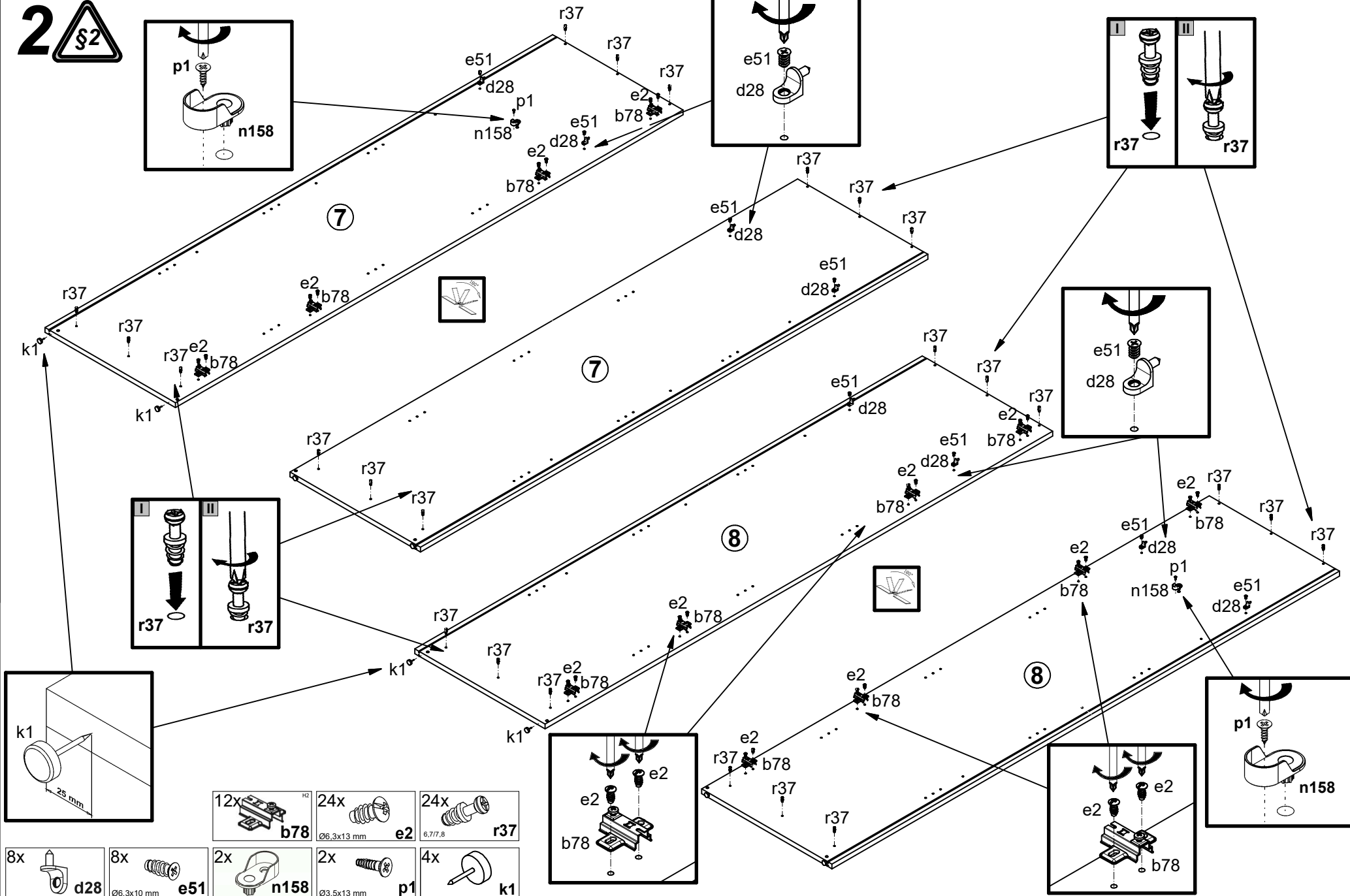
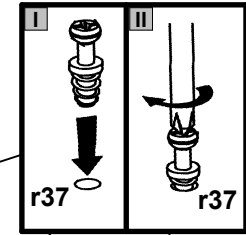
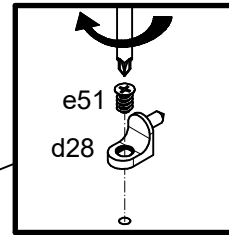
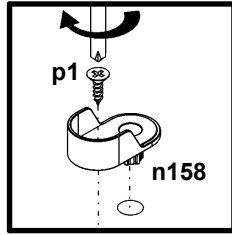
cm

8x K 0 a158 Ø35 mm 90°	12x K 95 a159 90°, Ø 35mm	20x H 0 b78	5x M4 c509	0	1	2	3	4	5	6	7	8	9	10			
18x d20	24x d28	12x Ø7x50 mm e1	40x Ø6,3x13 mm e2	18x Ø6,3x10 mm e50	24x Ø6,3x10 mm e51	12x Ø8x30 mm f1	12x k1	8x l63	4x n158 Ø20x13,5 mm #19	1x 50x12x1,5 mm n3	2x 25x25x16x1,5 mm n110	4x Ø3,5x13 mm p1	5x Ø4x35 mm p26	6x Ø3,5x10 mm p35	40x Ø3,5x15 mm p51	12x Ø3,5x30 mm p78	36x 6,77,8 r37
36x r54	12x s1	1x LJVN naklejka s9317	1x 4 mm z1	2x 66x21x15/1,5 n142	4x Ø3,5x16 mm p38	2x Ø10x50 mm f35	2x Ø5x60 mm p17										

1 §2

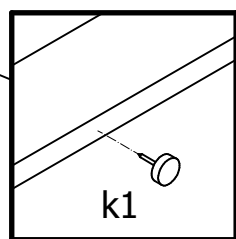
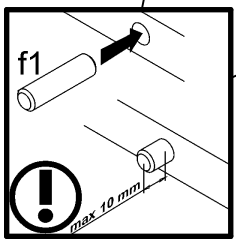
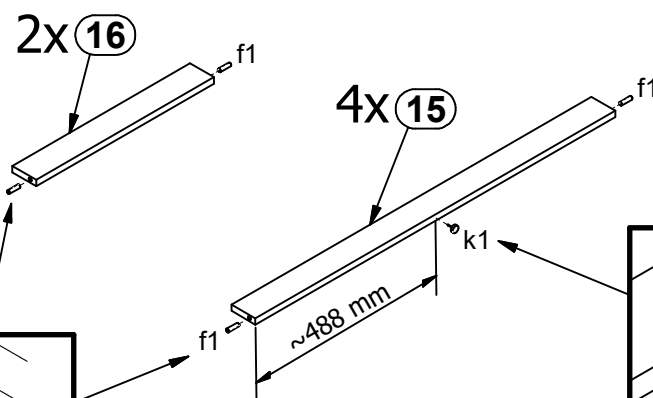
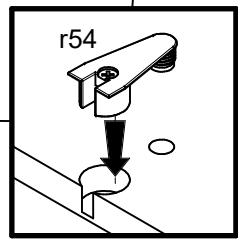
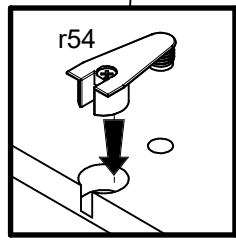
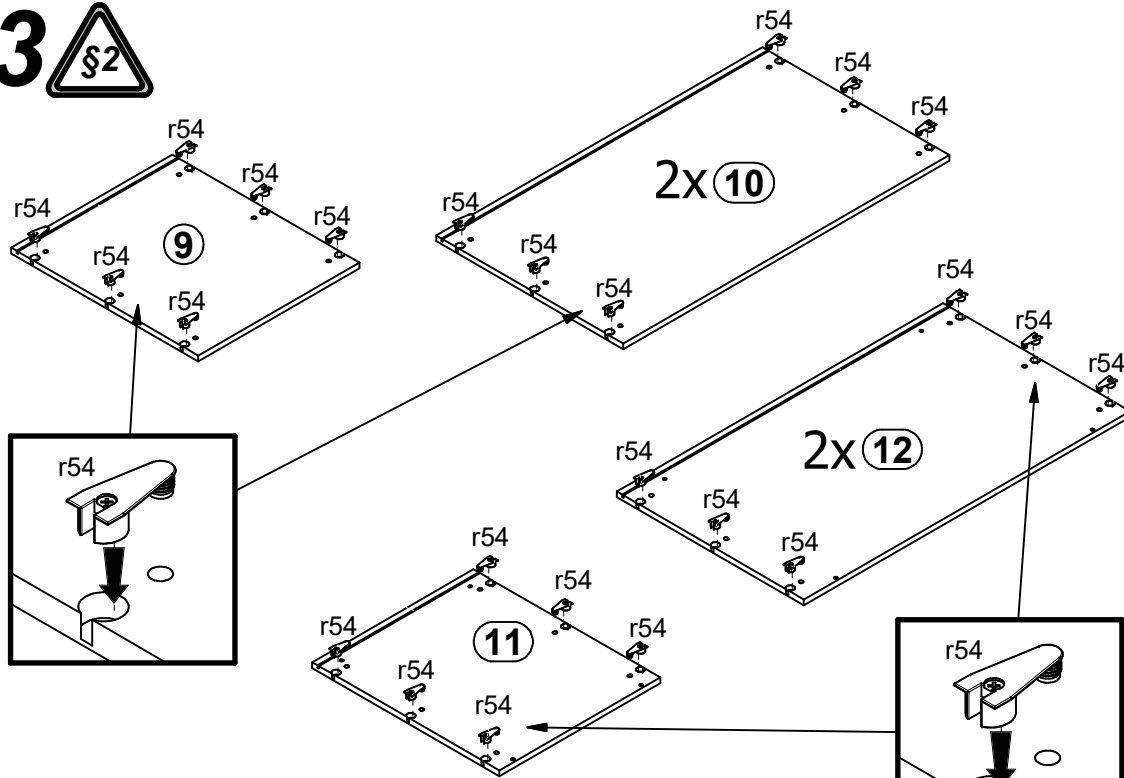


2 



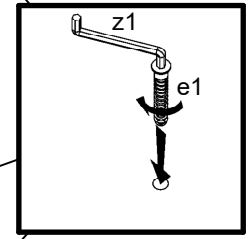
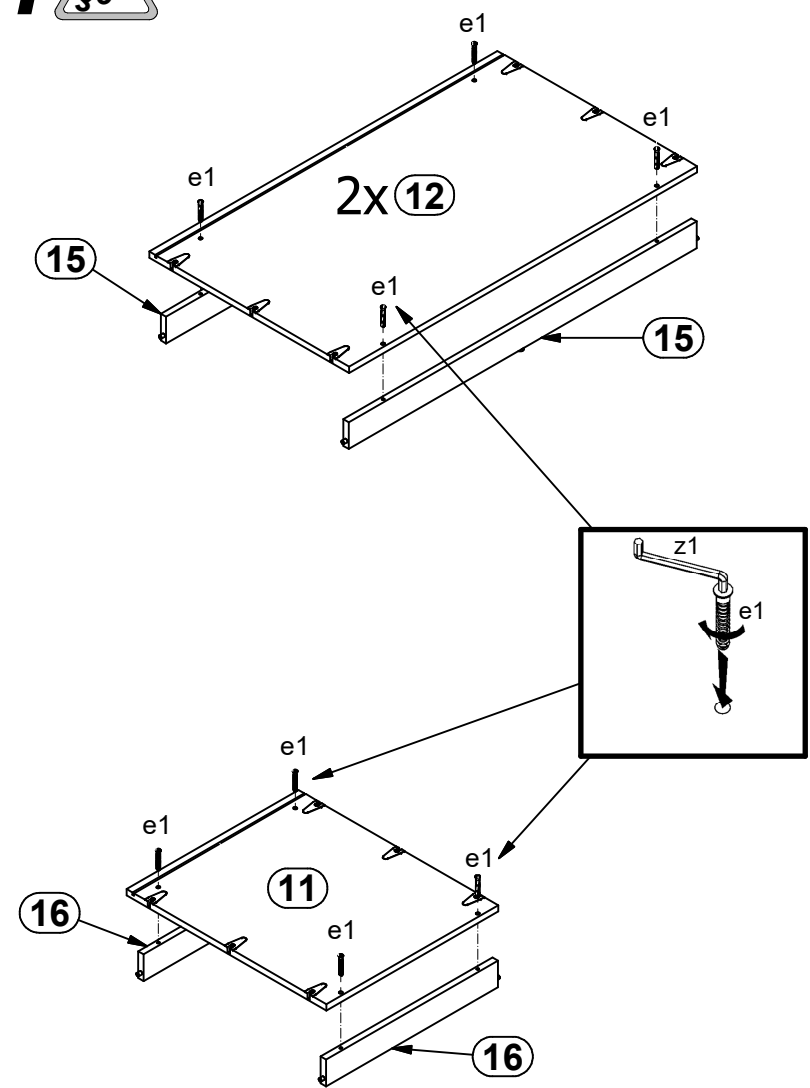
- 8x  d28
- 8x  e51
- 2x  n158
- 2x  p1
- 4x  k1
- 12x  b78
- 24x  e2
- 24x  r37

3 §2



- 36x #19 Ø20x13.5 mm r54
- 12x Ø8x30 mm f1
- 4x k1

4 §6

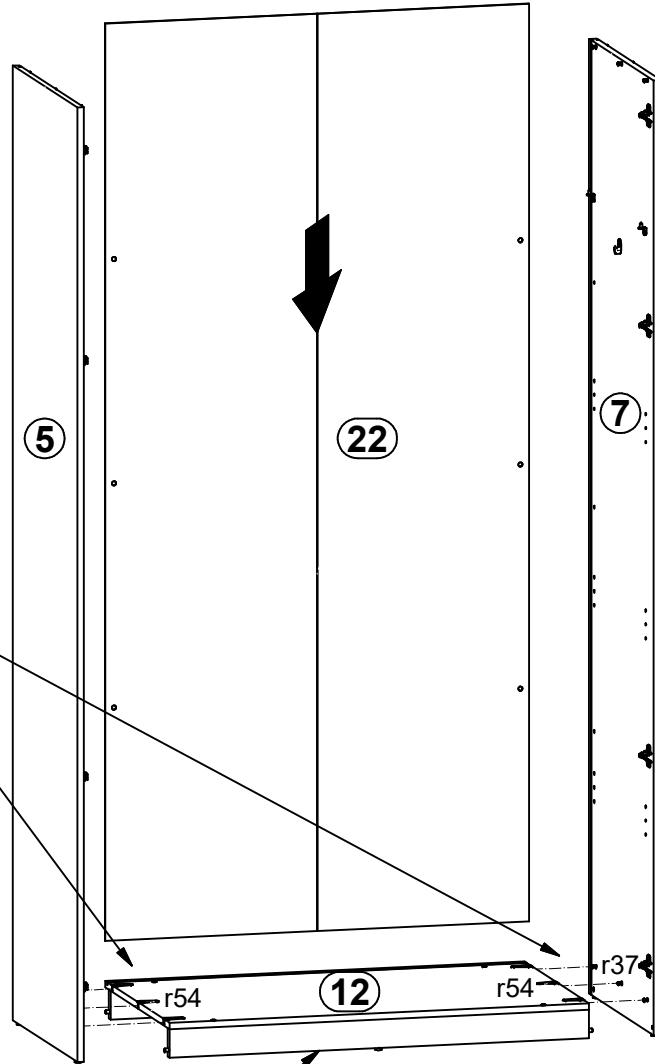


16

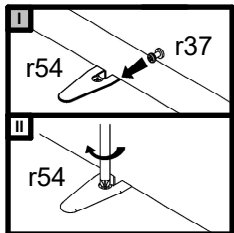
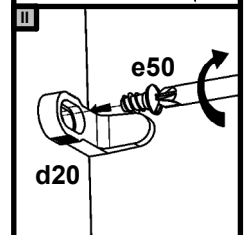
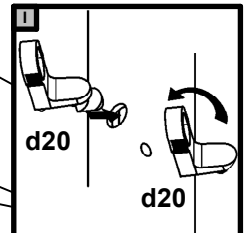
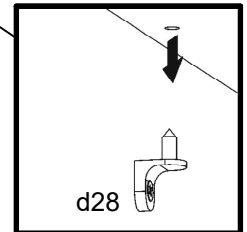
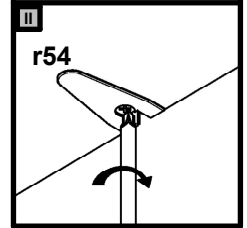
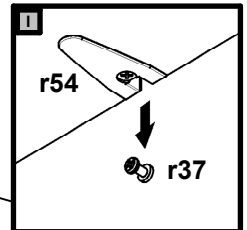
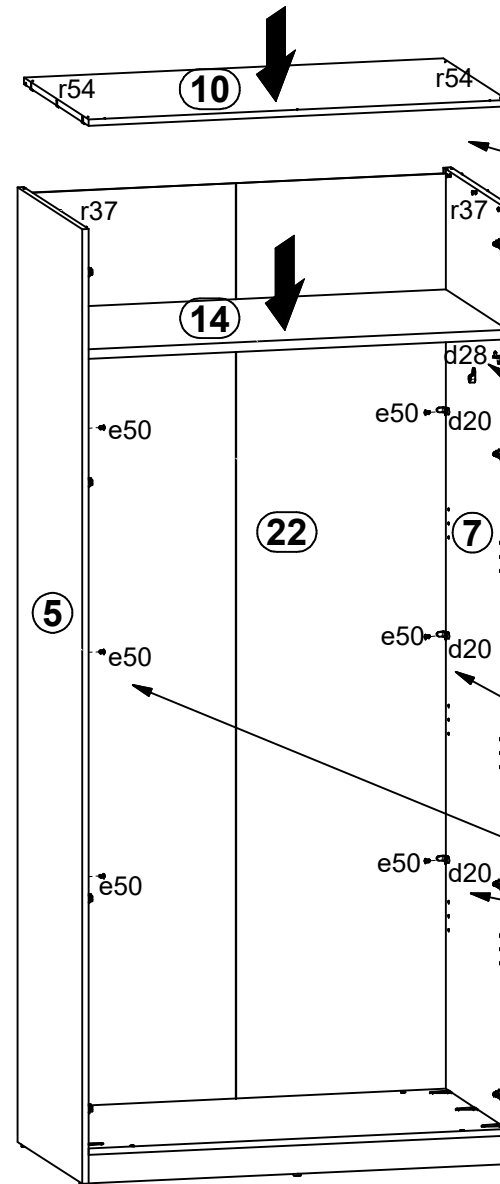
- 12x Ø7x50 mm e1

# 5 §6

I



II



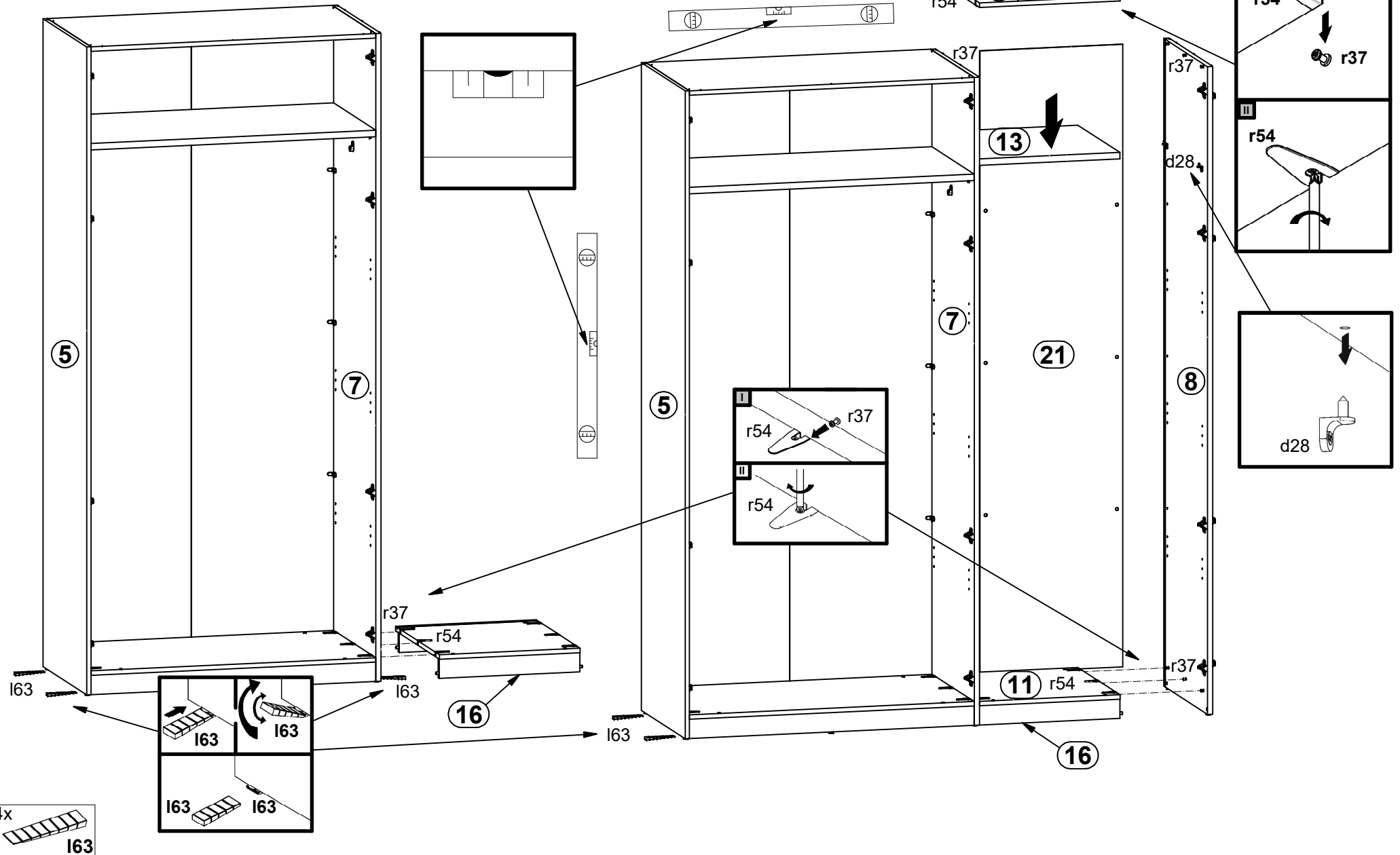
- 6x d20
  - 6x e50
- Ø6,3x10 mm



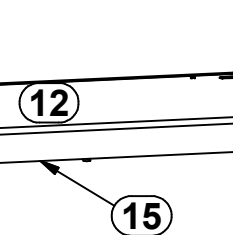
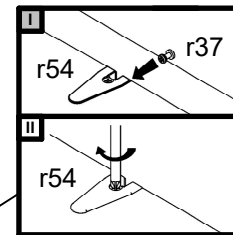
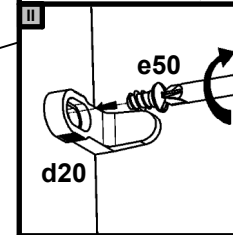
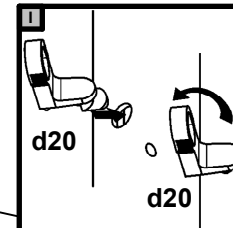
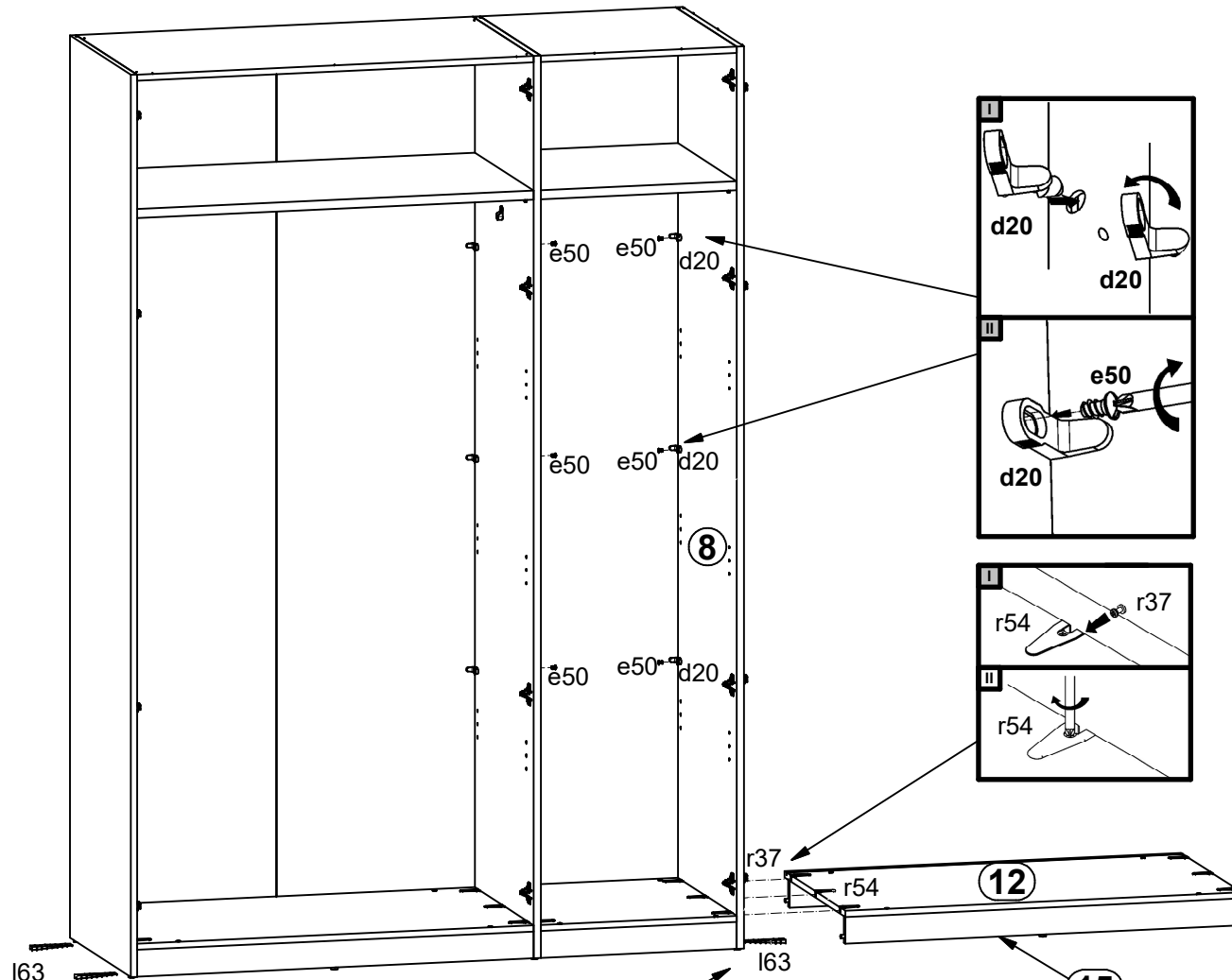
**6** §6


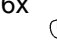

**I**

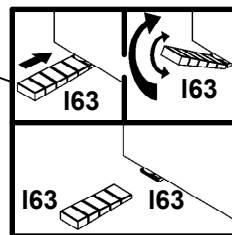
**II**



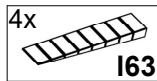
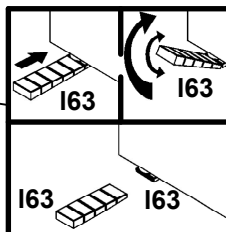
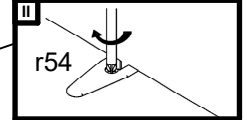
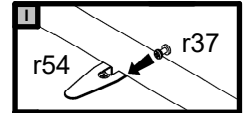
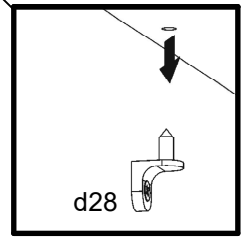
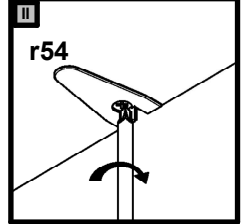
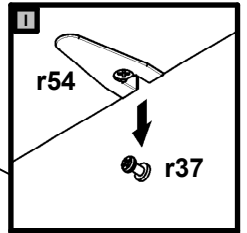
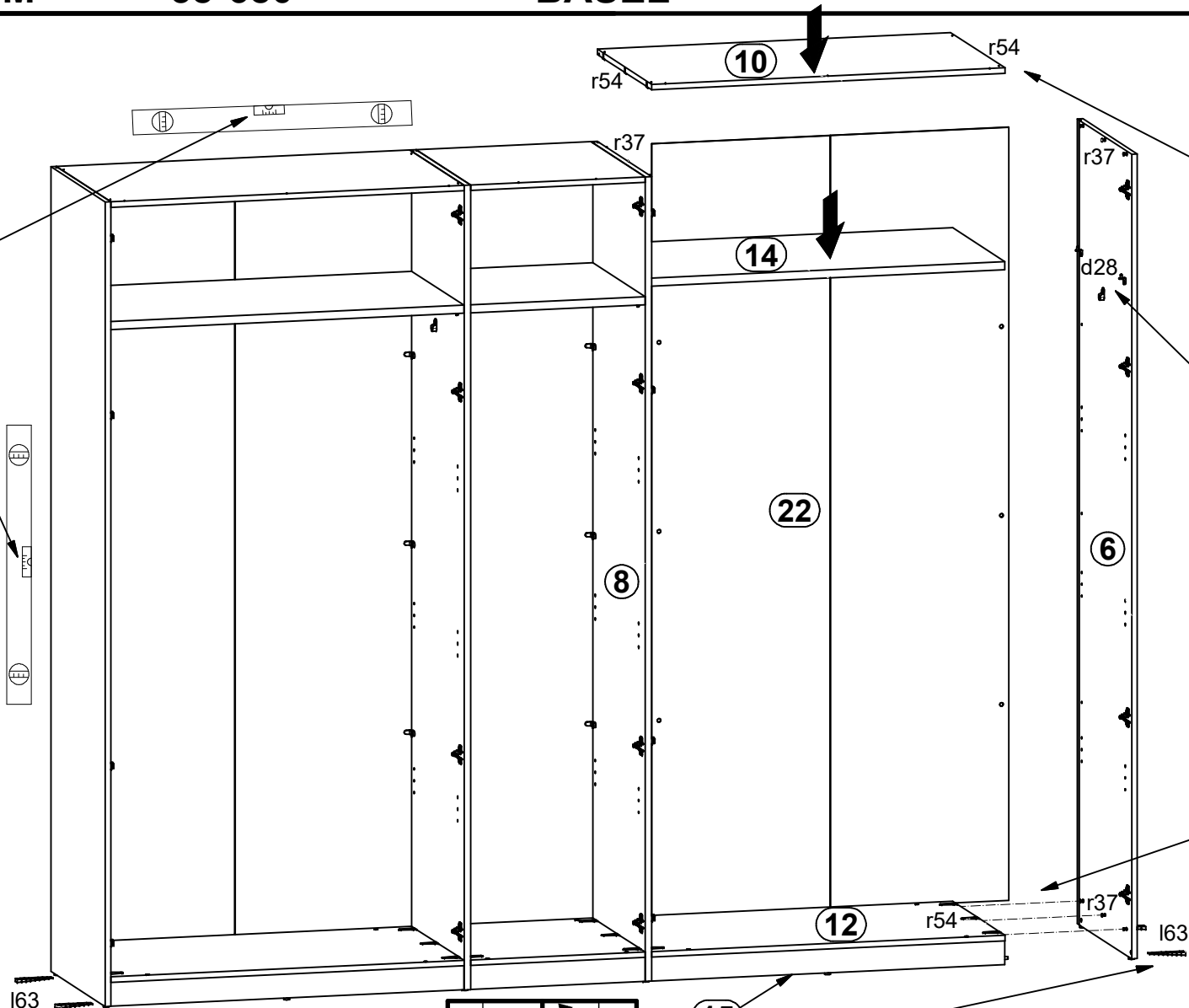
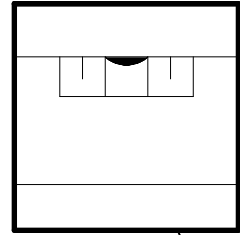
7 



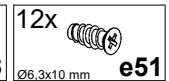
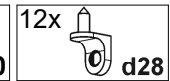
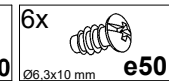
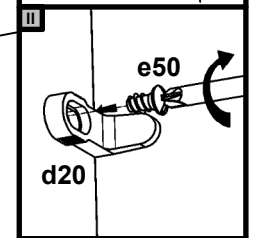
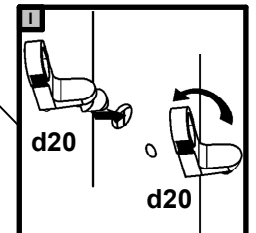
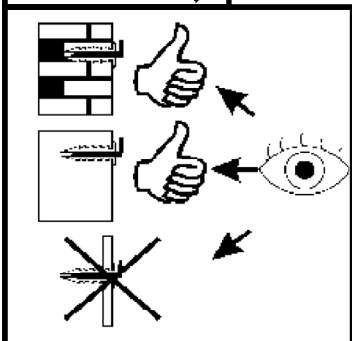
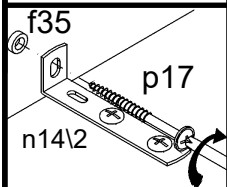
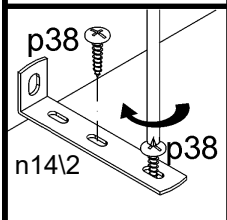
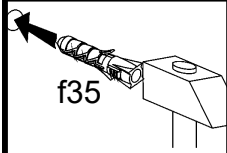
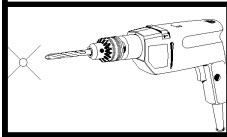
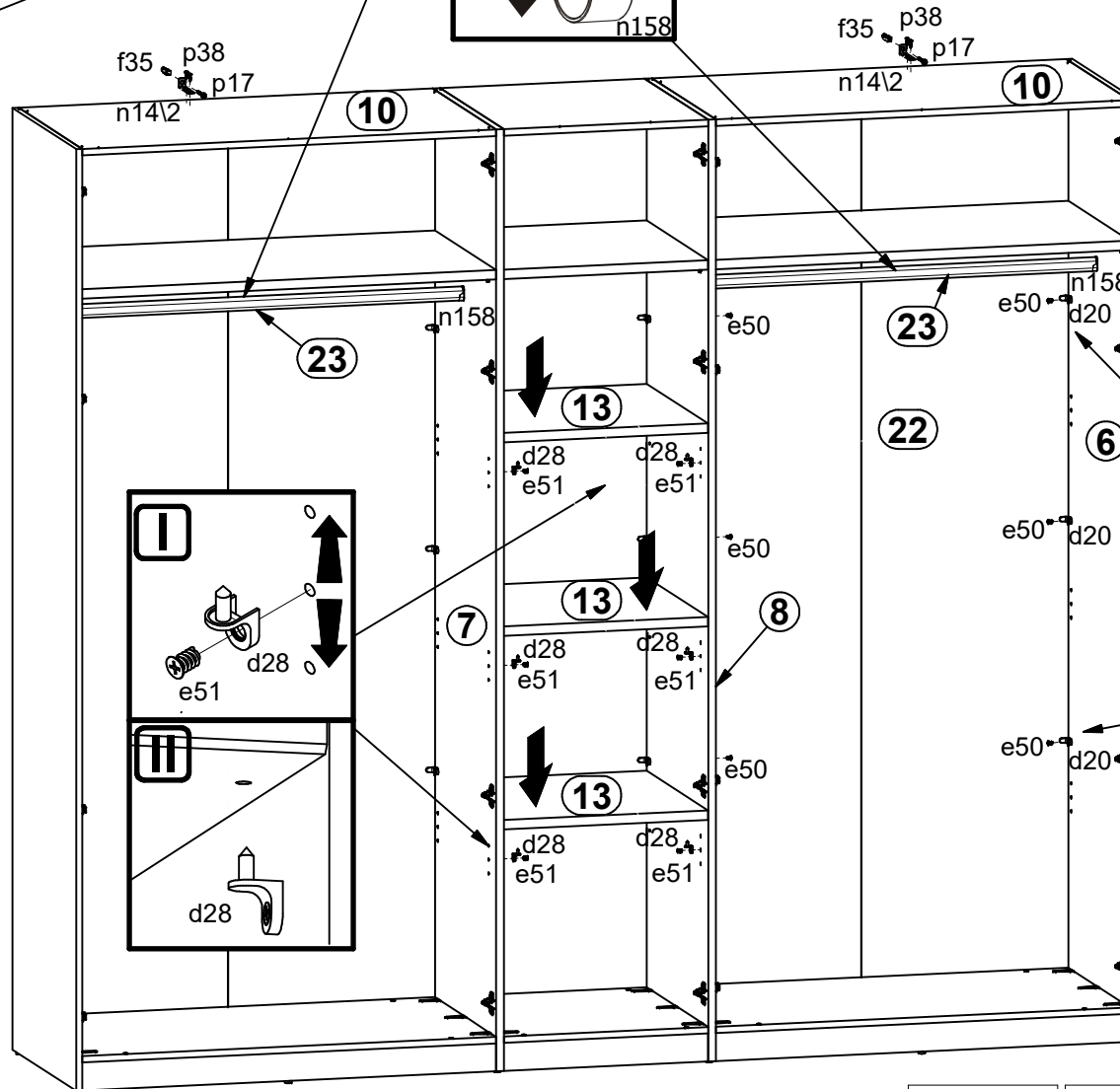
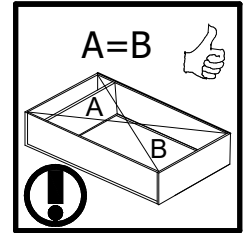
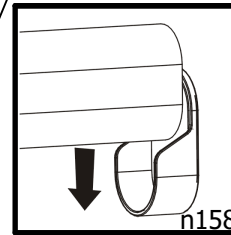
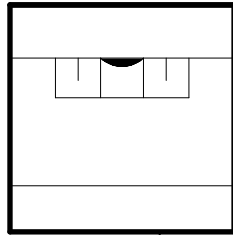
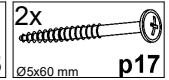
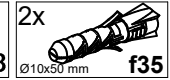
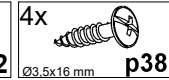
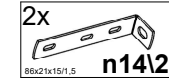
- 6x   $d20$
- 6x   $\varnothing 6.3 \times 10 \text{ mm}$   $e50$
- 4x   $l63$



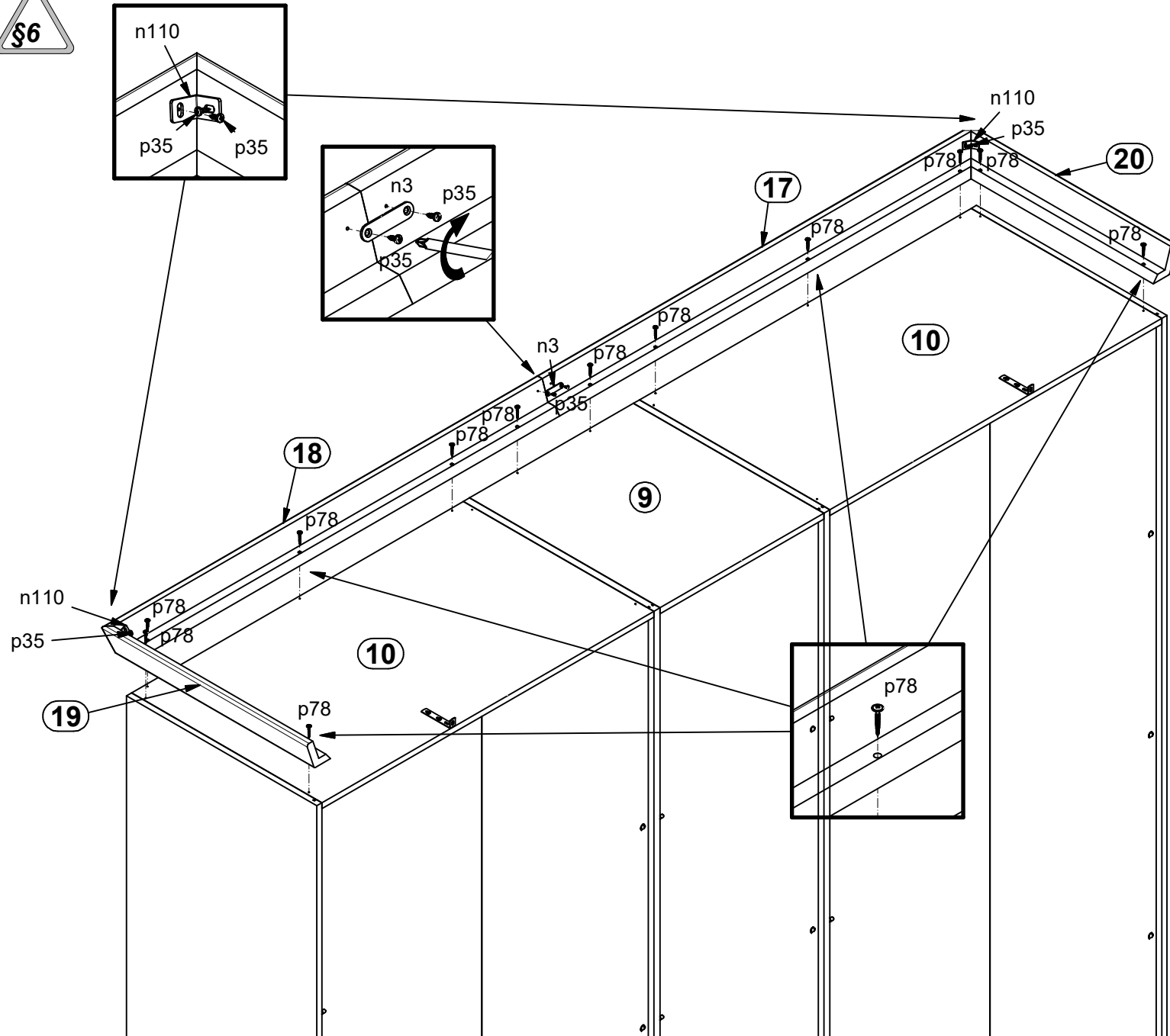
8 §6


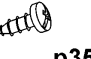
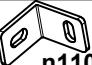



9 

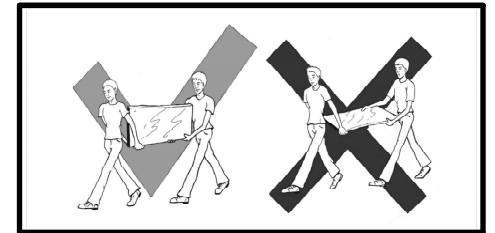
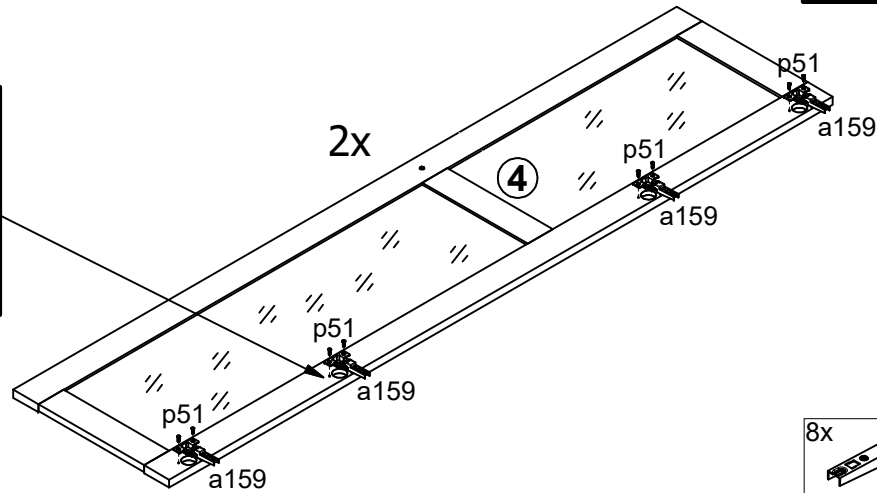
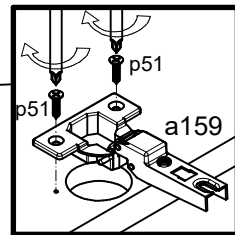
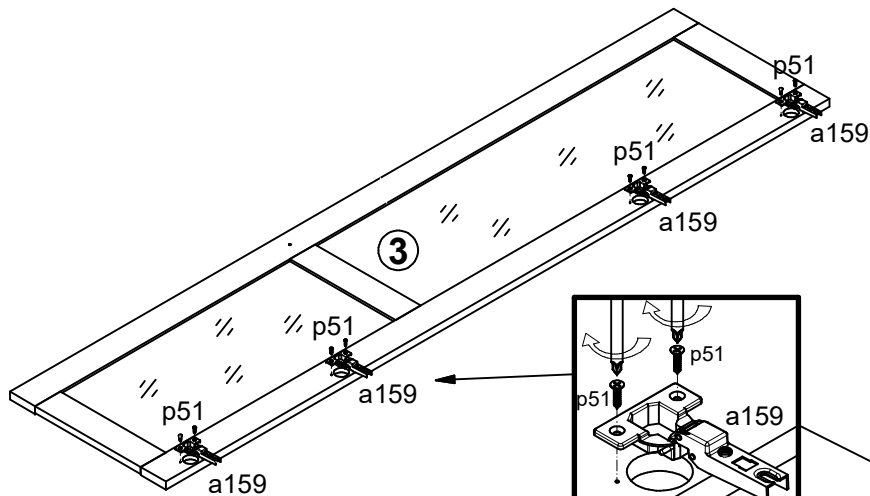
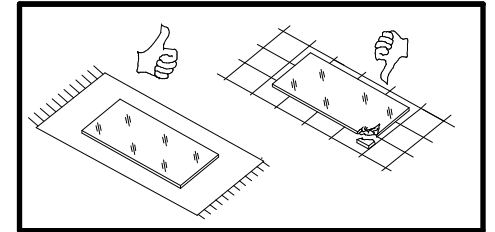
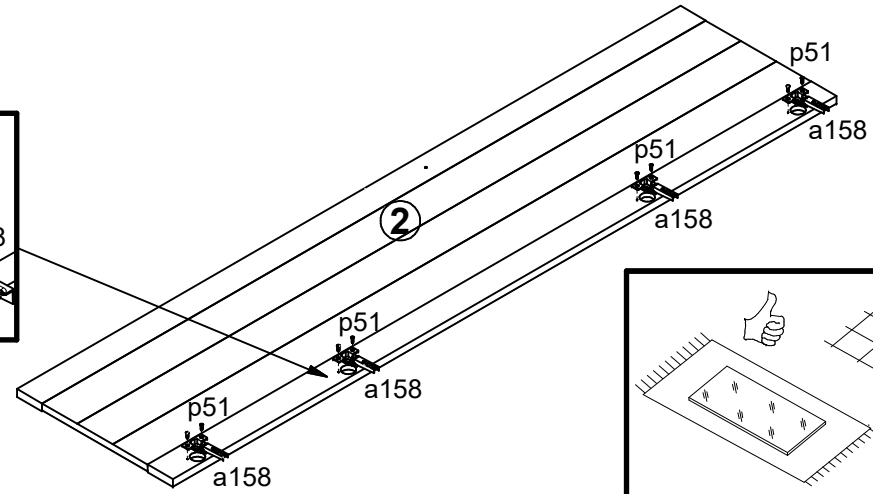
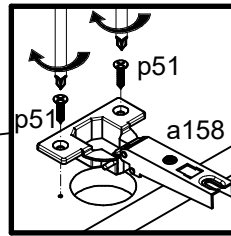
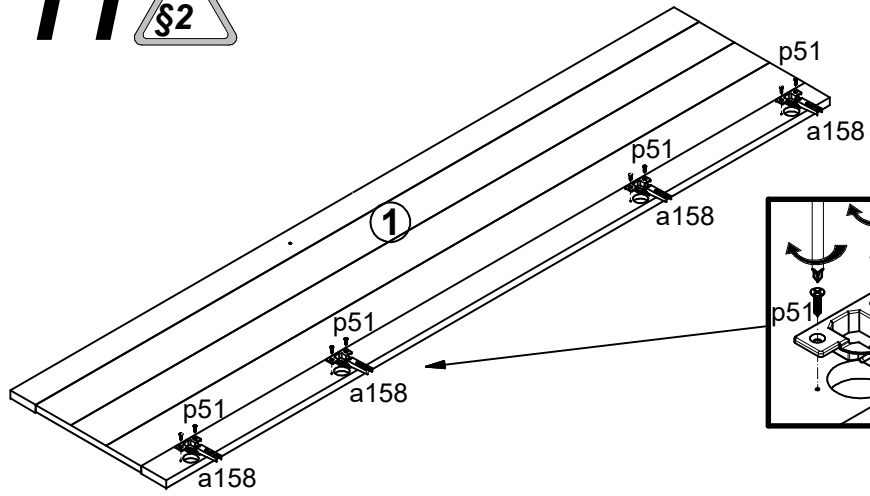


**10** §6

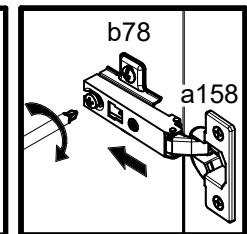
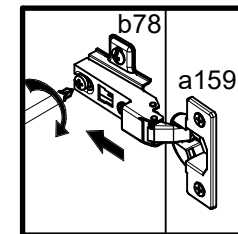
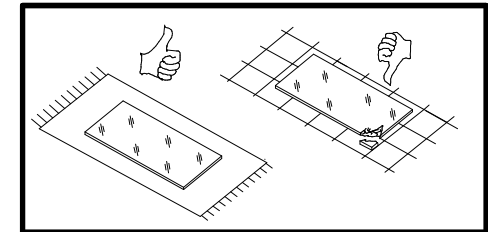
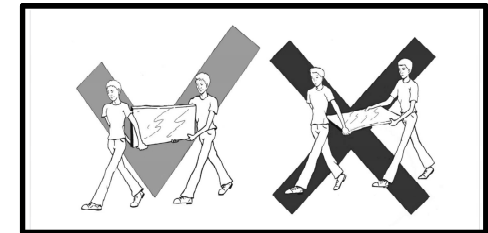
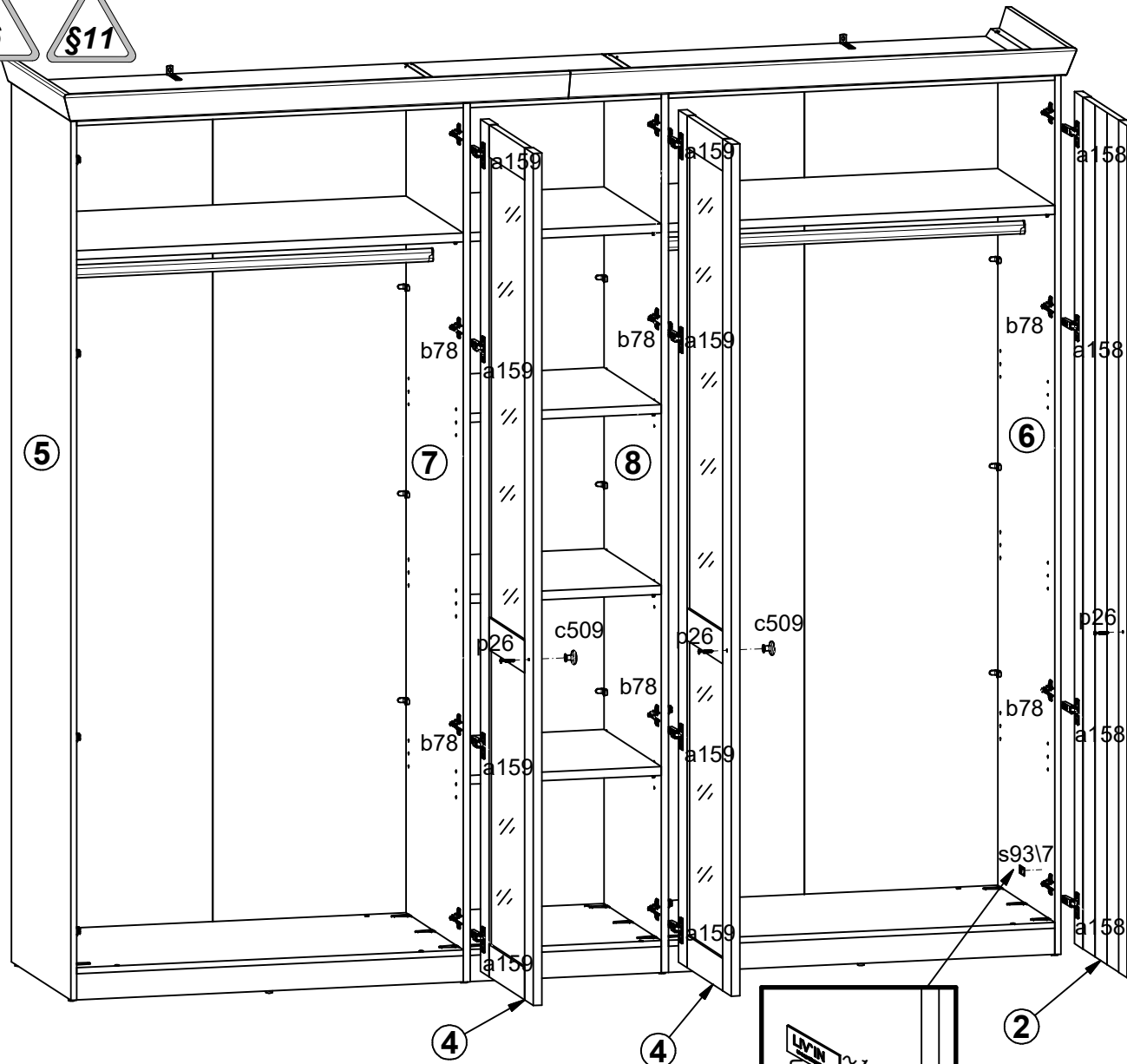


1x 50x12x1,5 mm		6x Ø3,5x10 mm	
2x 25x25x16x1,5 mm		12x Ø3,5x30 mm	

# 11

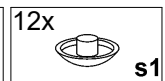
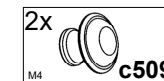
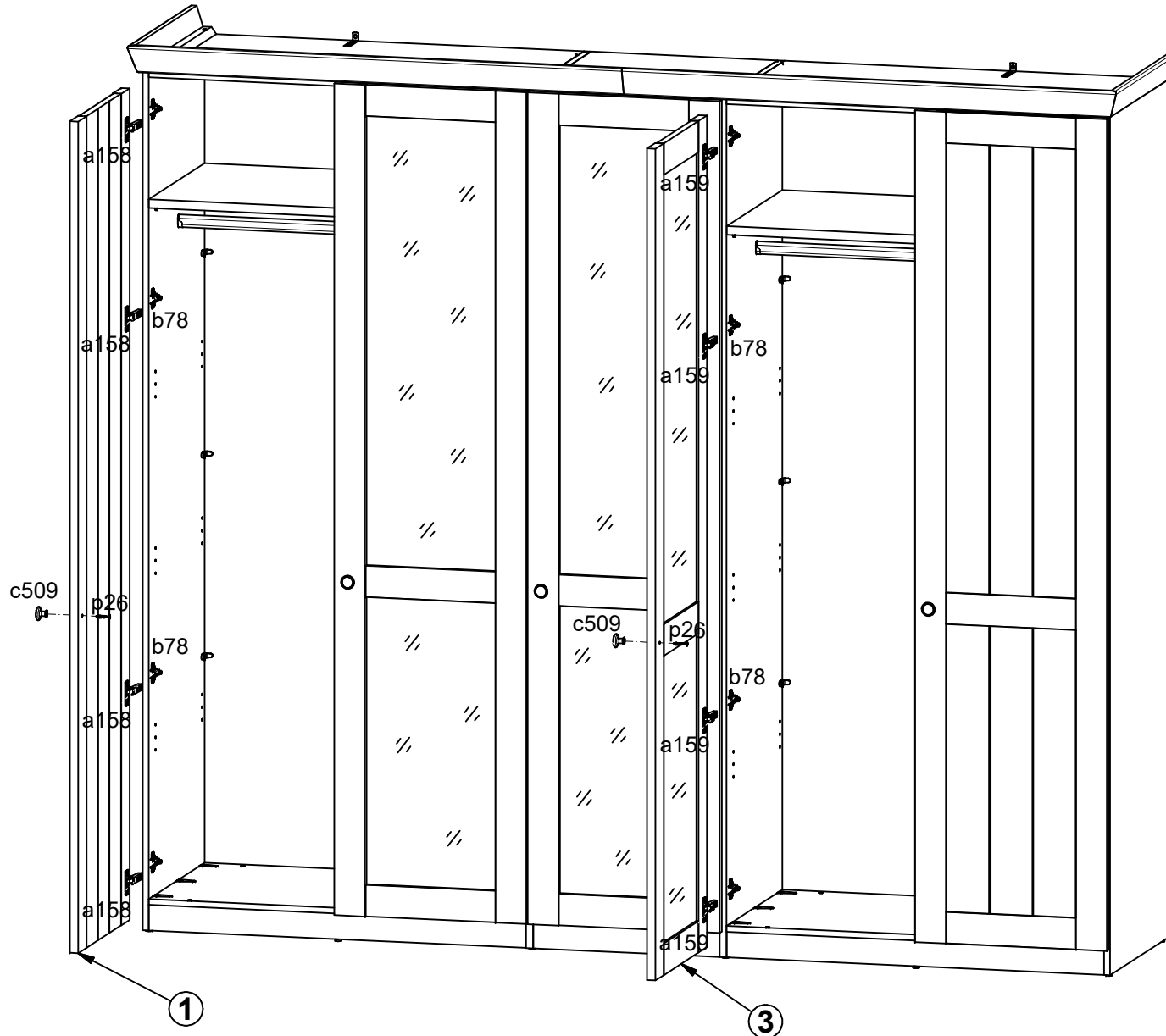
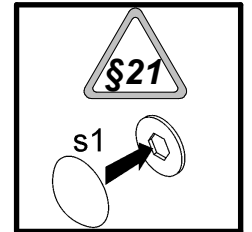
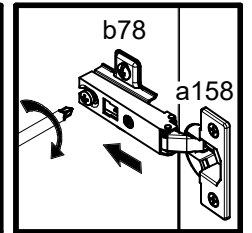
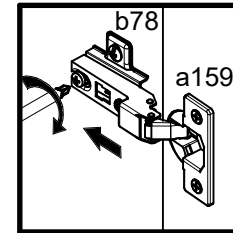
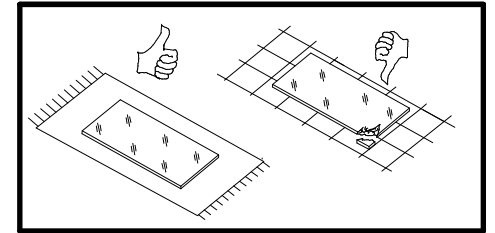
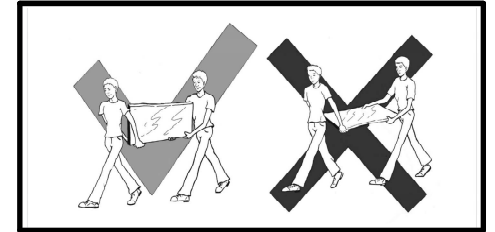


12 §6 §11



- 1x naklejka s93\7
- 3x M4 c509
- 3x Ø4x35 mm p26

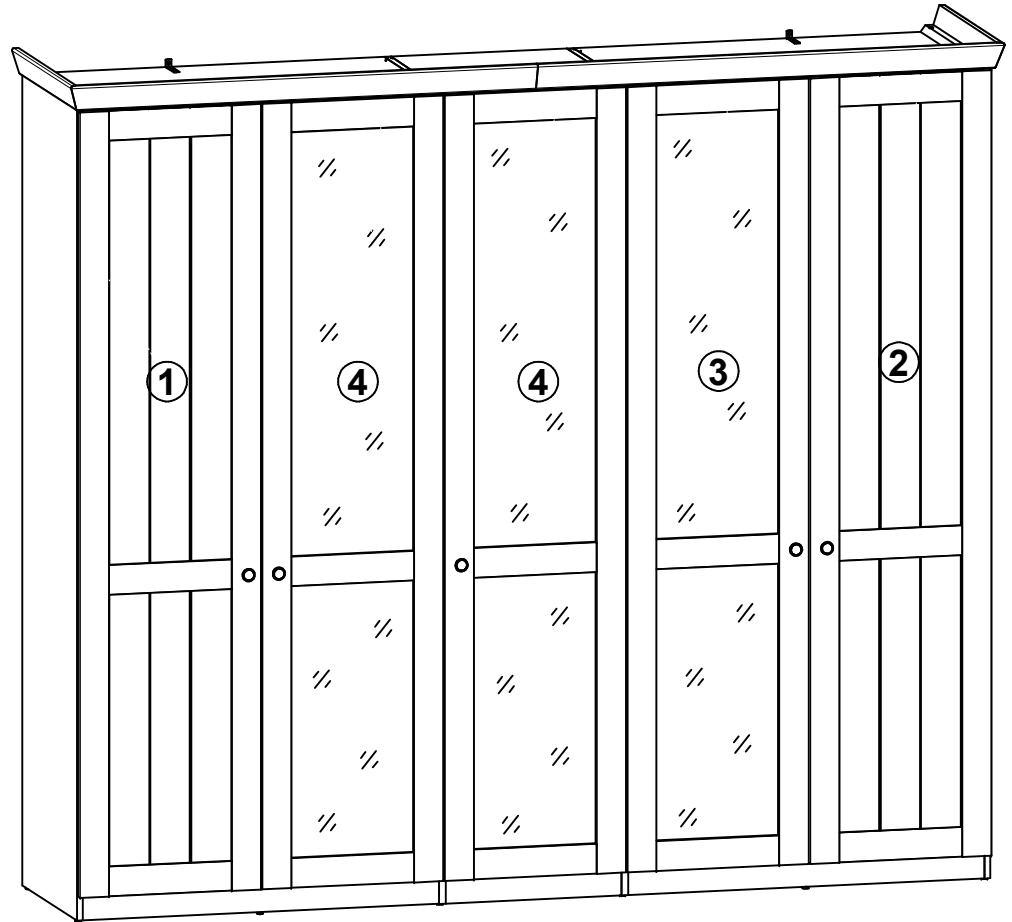
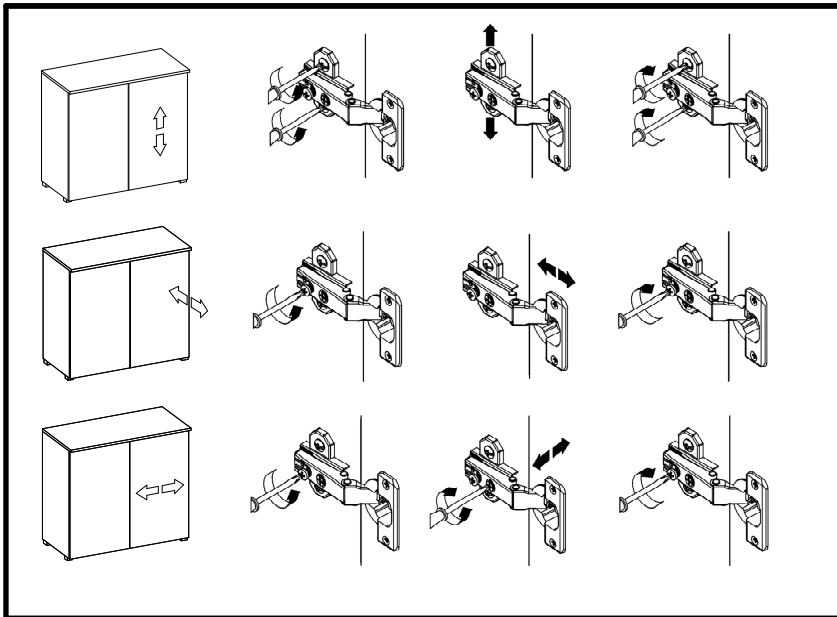
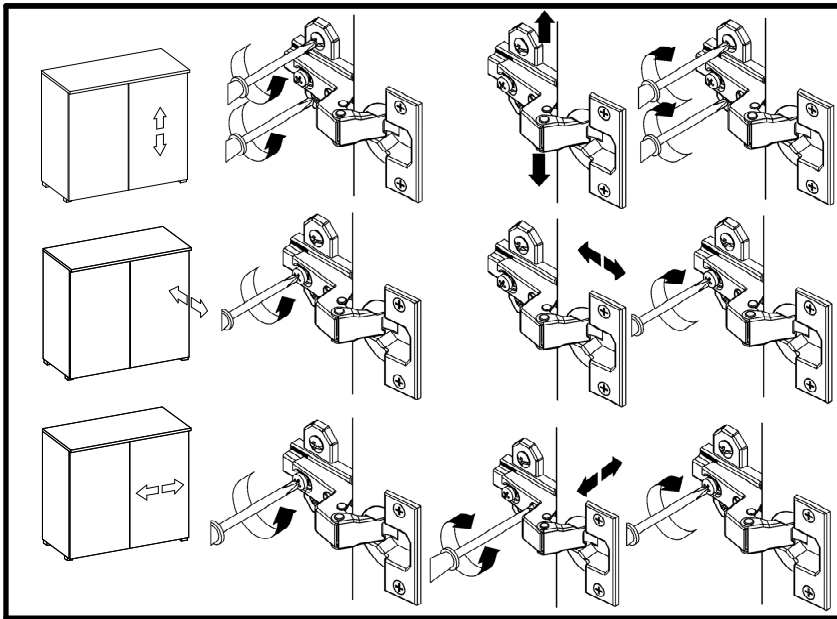
13 §6 §11

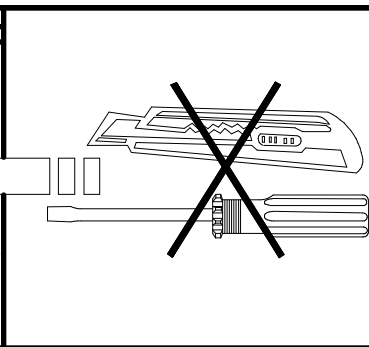
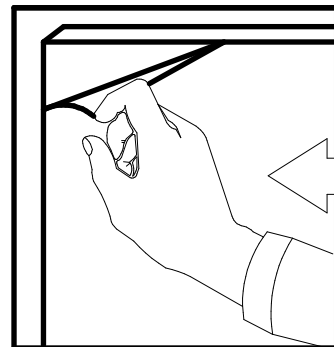
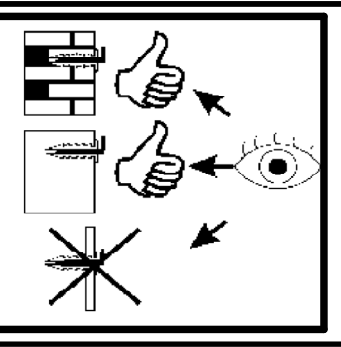
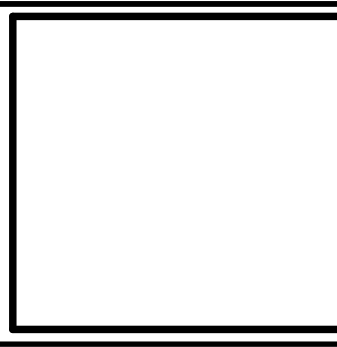
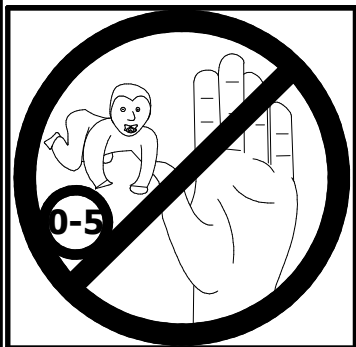
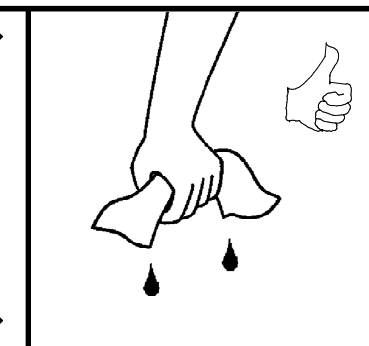
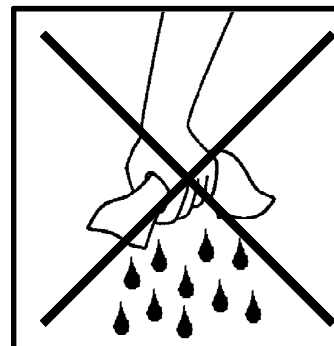
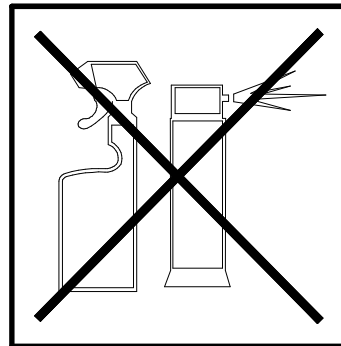
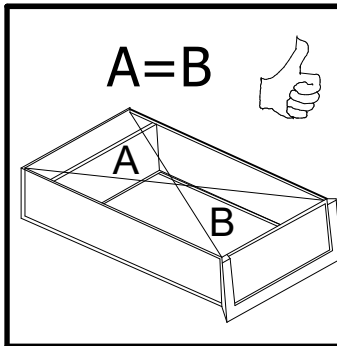
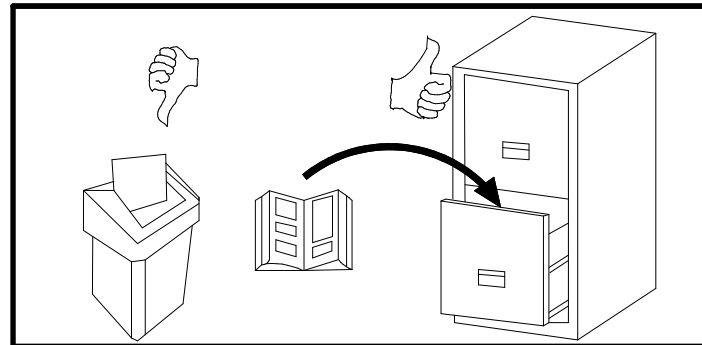
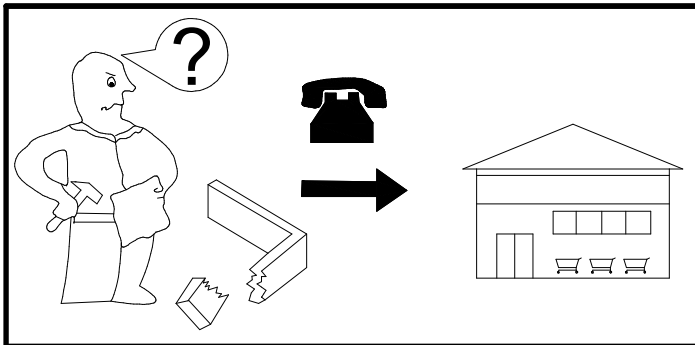
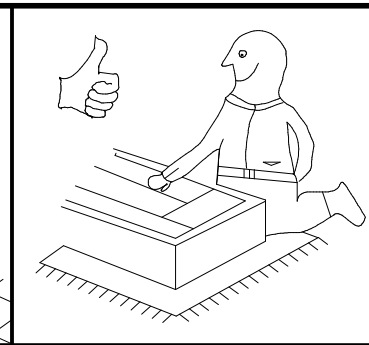
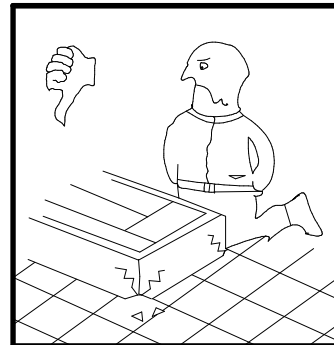
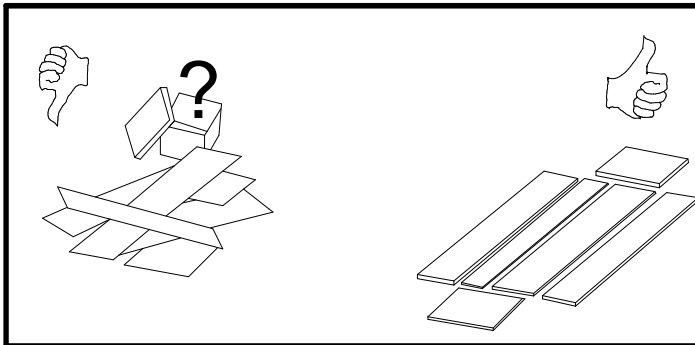
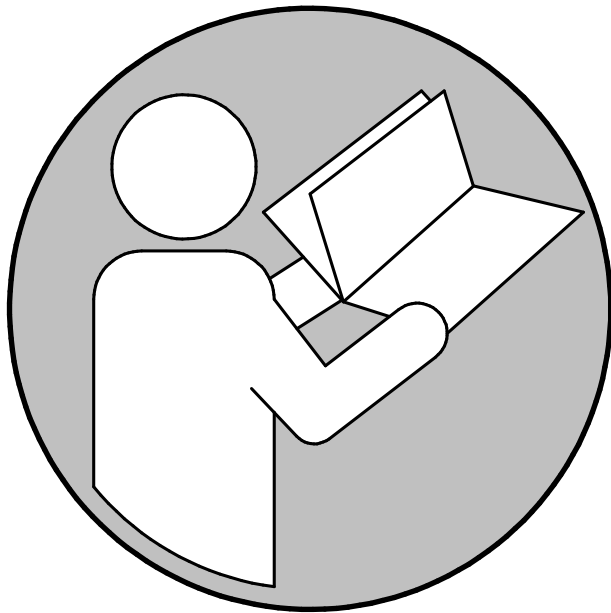


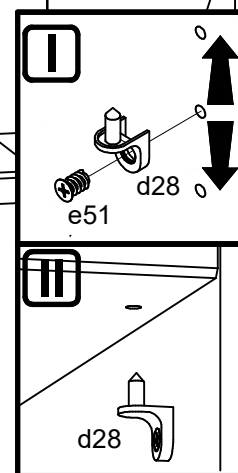
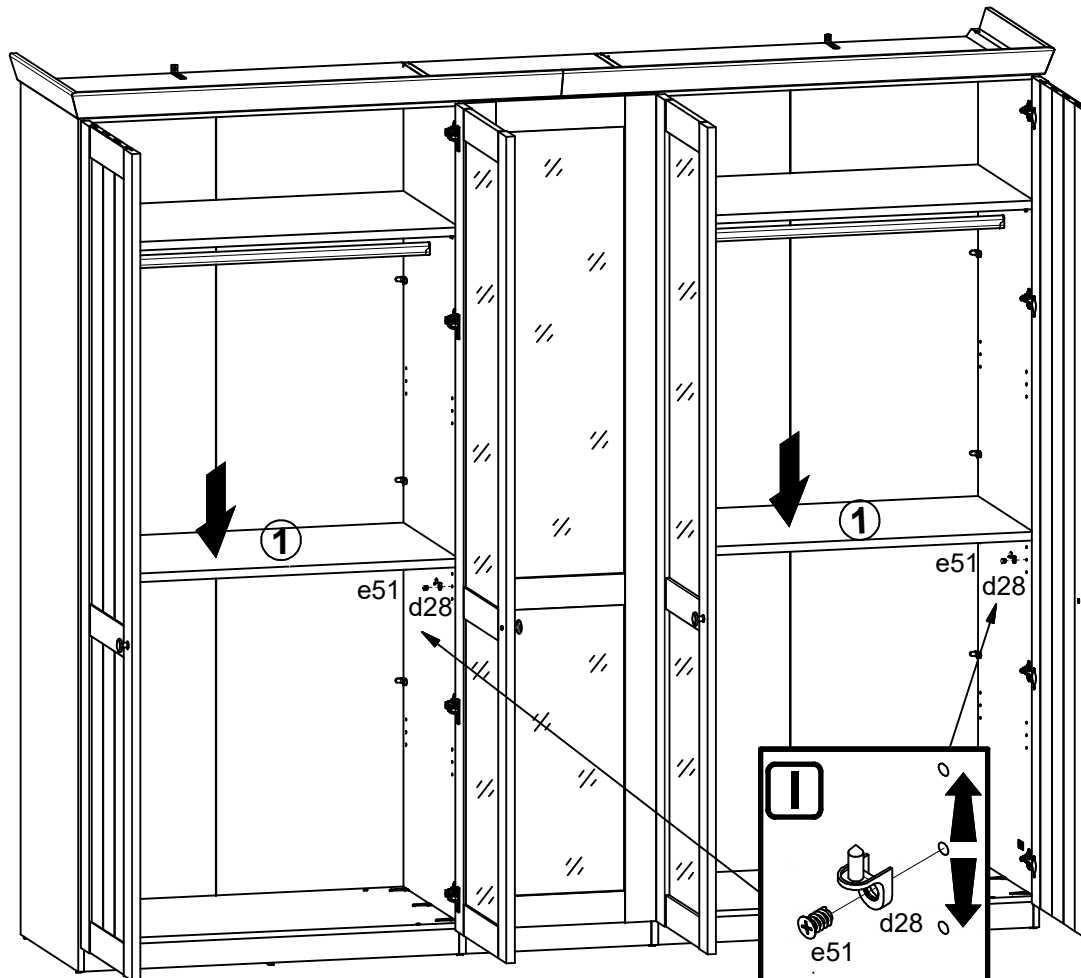
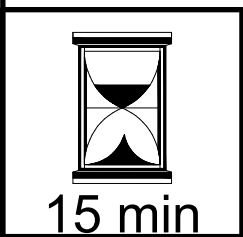
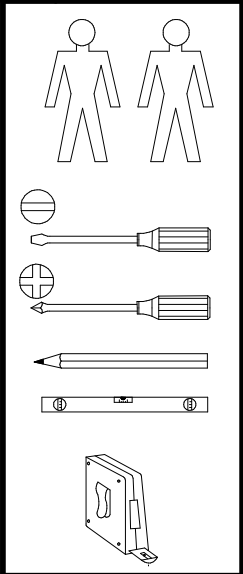


# 14

§6







A	B	C (mm)			D
1	L96-3010	976	539	22	1/1

